

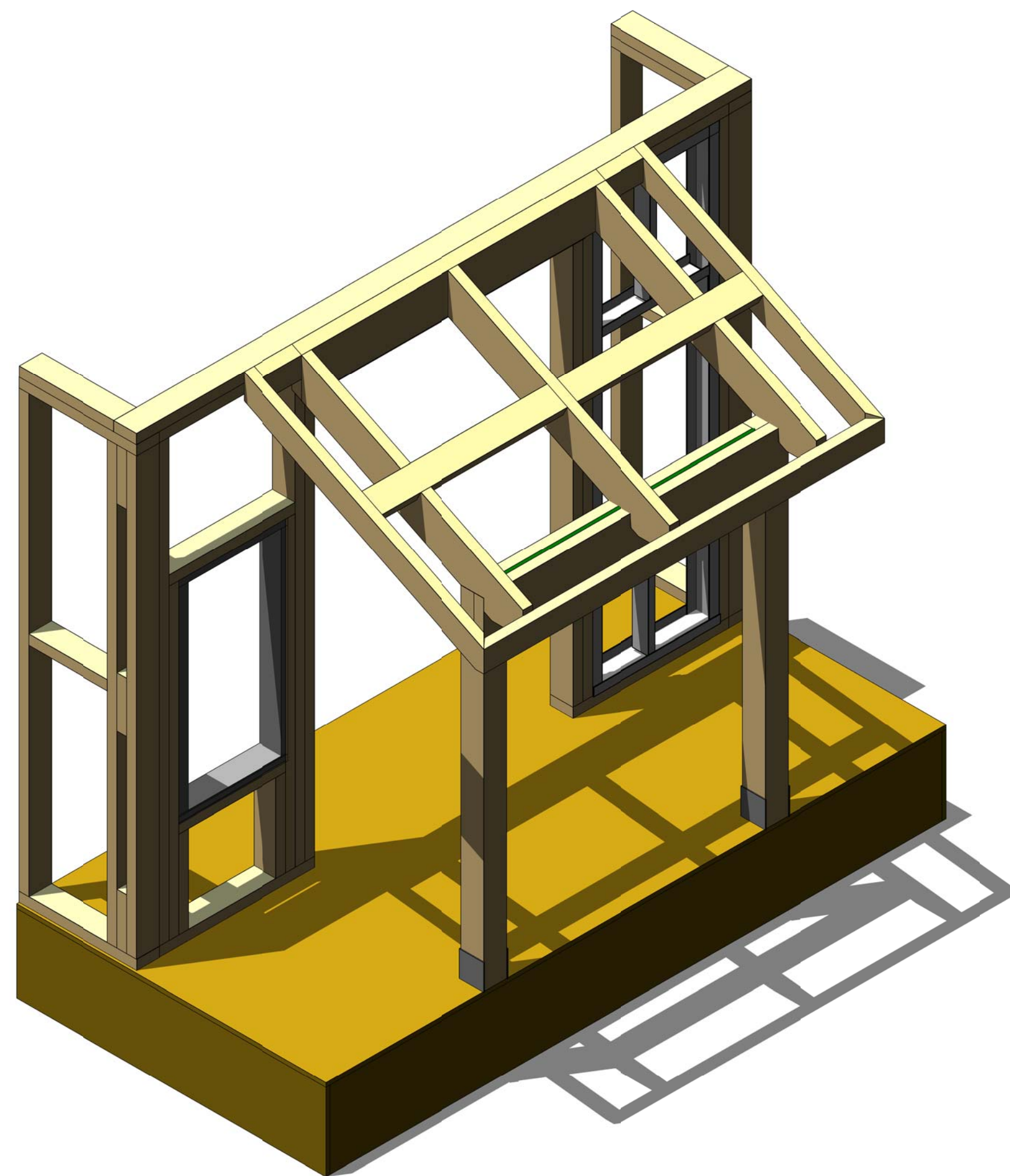
SkillsUSA 2013 Contest Projects

Carpentry

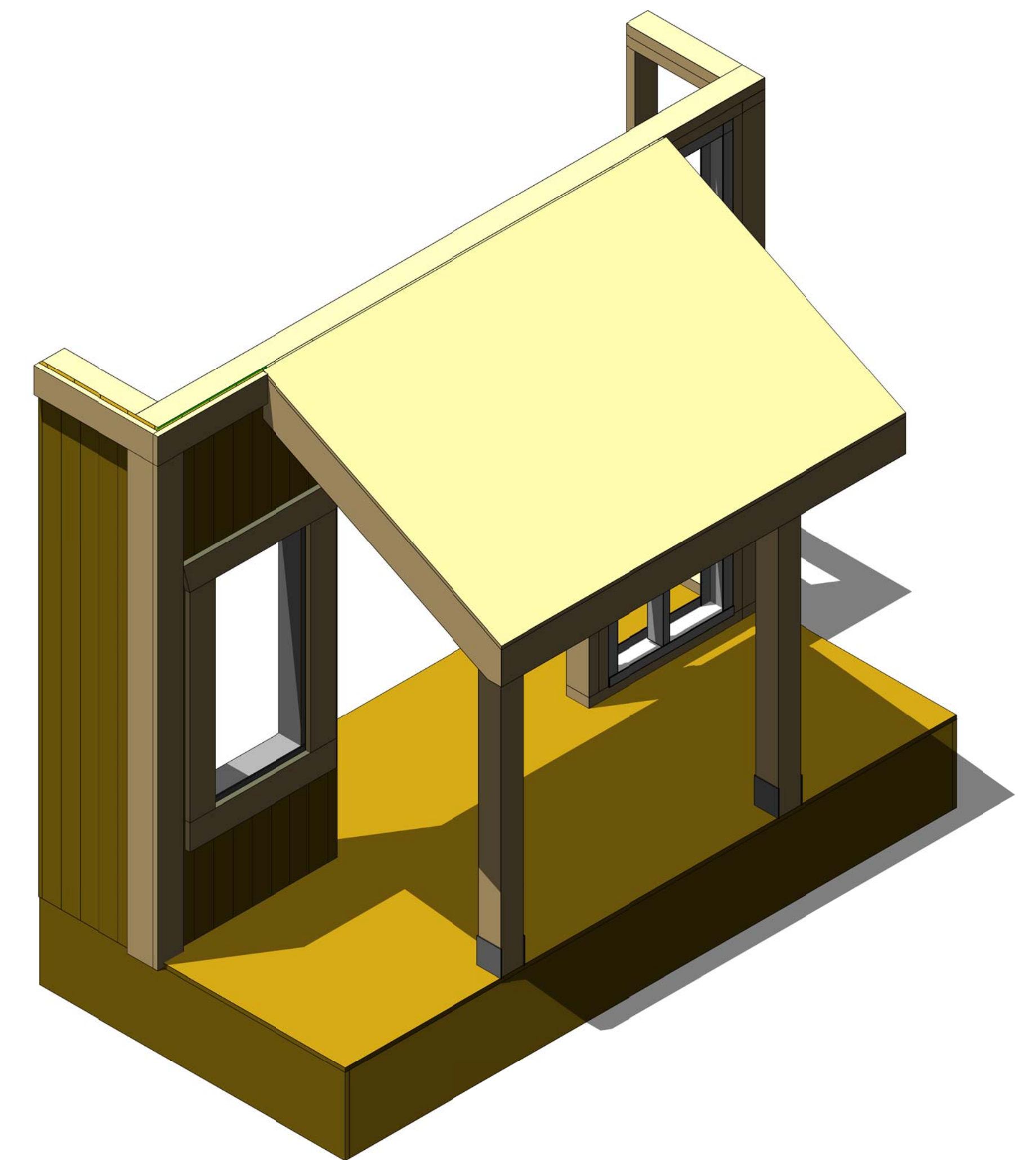
Click the “Print this Section” button above to automatically print the specifications for this contest. Make sure your printer is turned on before pressing the button.



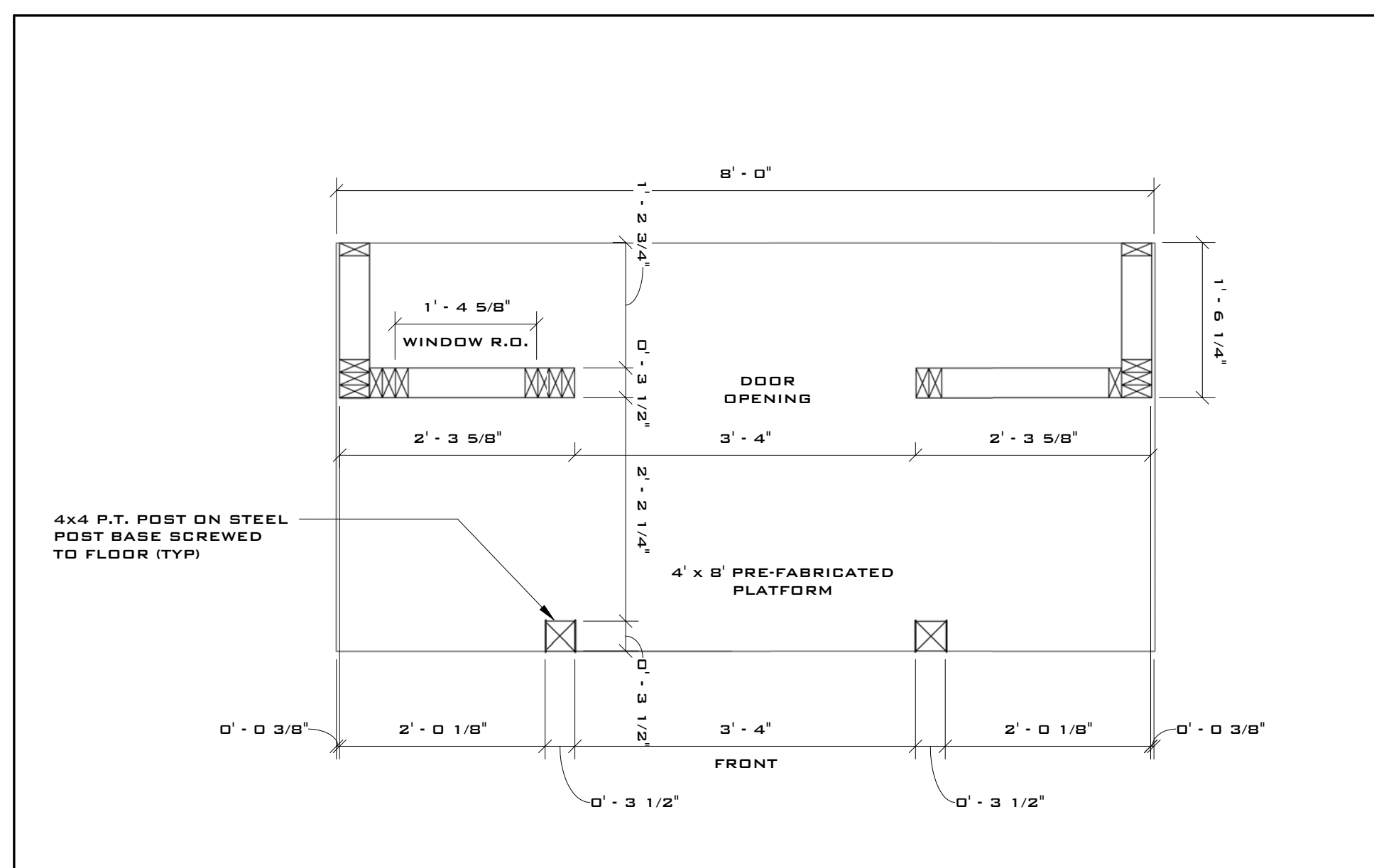
49TH ANNUAL SKILLSUSA 2013 CARPENTRY CHAMPIONSHIPS



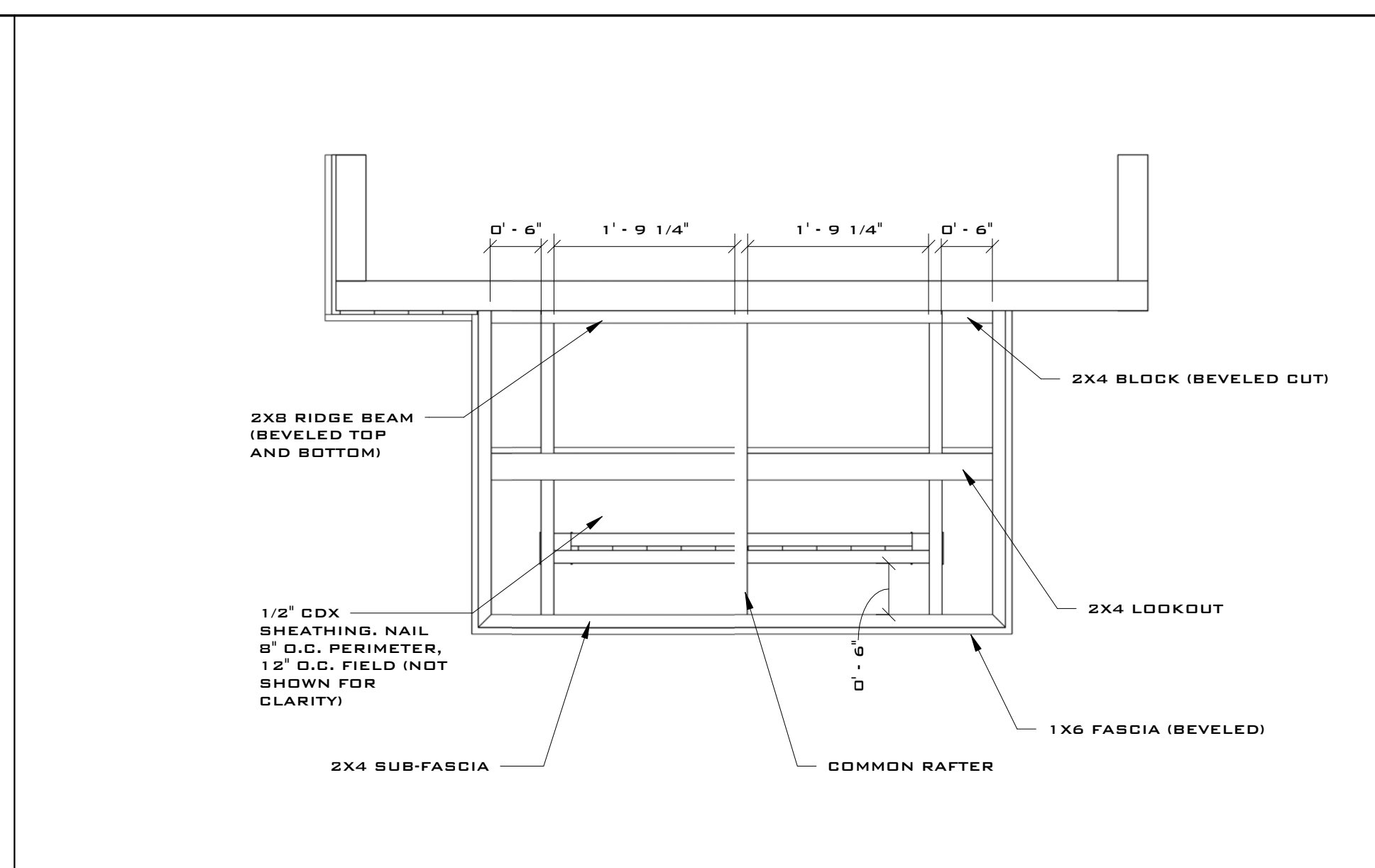
WOOD FRAMING MATERIALS	
QTY	DESCRIPTION
17	2 x 4 x 8' SPRUCE
1	2 x 4 x 10' SPRUCE
1	2 x 4 x 8' P.T.
3	2 x 6 x 8'
1	2 x 6 x 4'
1	2 x 8 x 8'
1	4 x 4 x 10' P.T.
1	1 x 6 x 8' P.T.
1	1 x 6 x 6' P.T.
4	1 x 4 x 6' CEDAR
1	1 x 4 x 2' CEDAR
2	1/2" x 5" x 4' CDX
1	1 x 6 x 10' WHITE WOOD
1	4' x 6' x 3/8" SIDING
1	4' x 6' x 1/2" CDX
2	4 x 4 POST BUCKETS



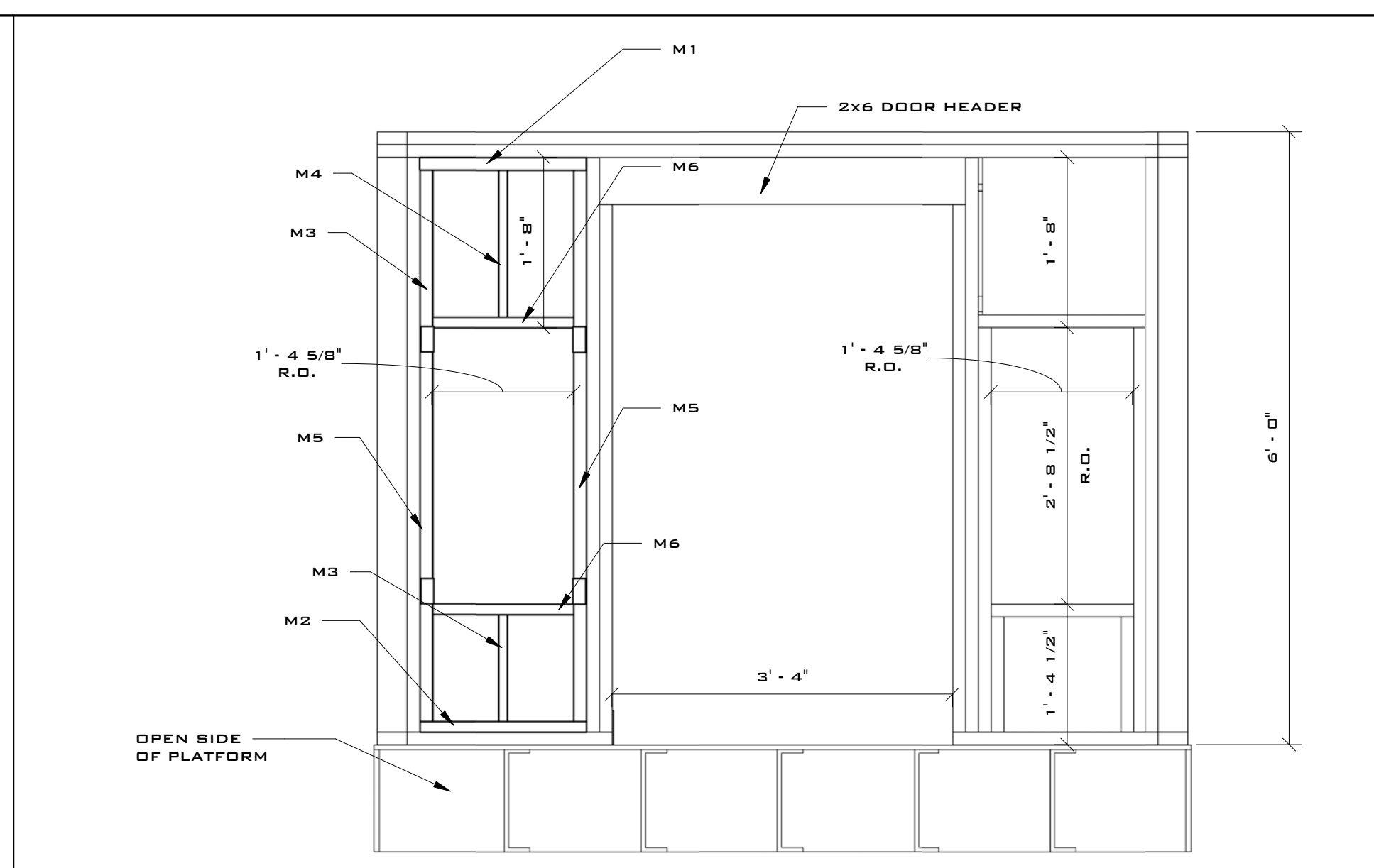
METAL FRAMING MATERIALS				
CATEGORY	MATERIAL	LENGTH	PART	QTY
TOP TRACK	362SLT250-20	1'-7 5/8"	M1	1
BOTTOM TRACK	362PDT125-19	1'-7 5/8"	M2	1
ON CENTER STUD	362PDS125-19	1'-3"	M3	1
ON CENTER STUD	362PDS125-19	1'-5 3/8"	M4	1
KING STUD	362PDS125-19	5'-5"	M5	2
HEAD (OPENING)	362PDT125-19	1'-9 1/8"	M6	1
SILL (OPENING)	362PDT125-19	1'-9 1/8"	M6	1



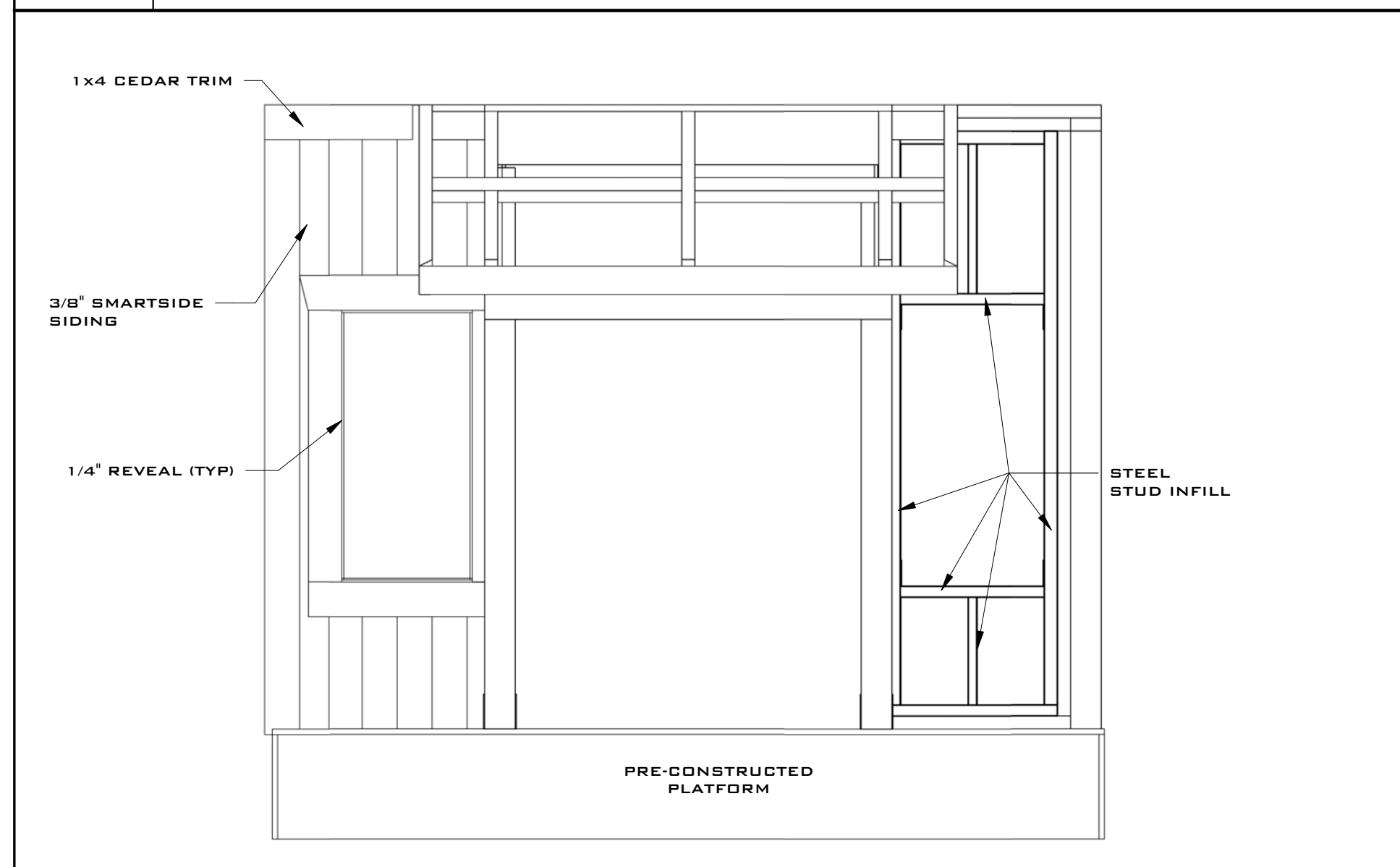
1 FLOOR PLAN 3/4" = 1'-0"



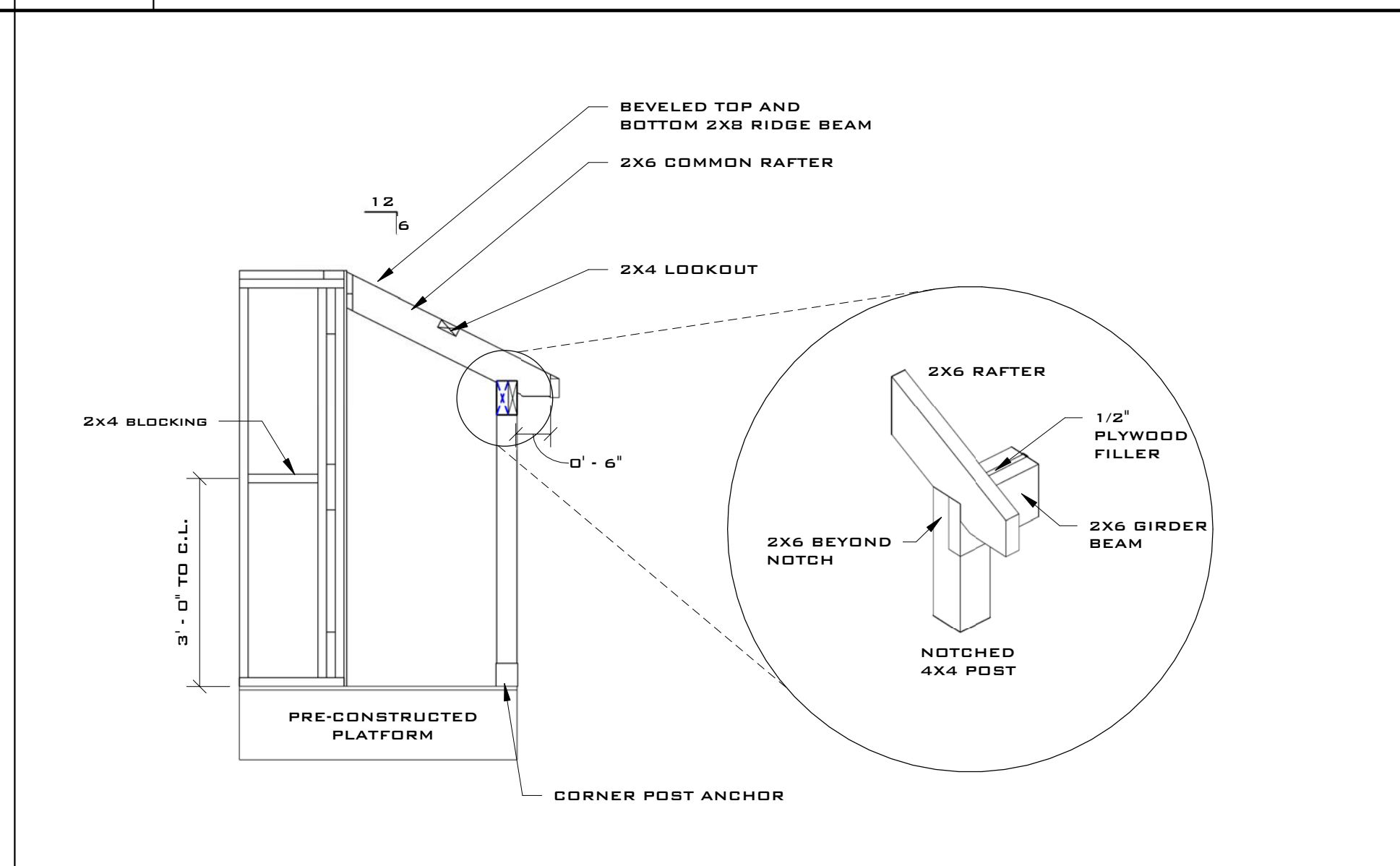
2 ROOF FRAMING PLAN 3/4" = 1'-0"



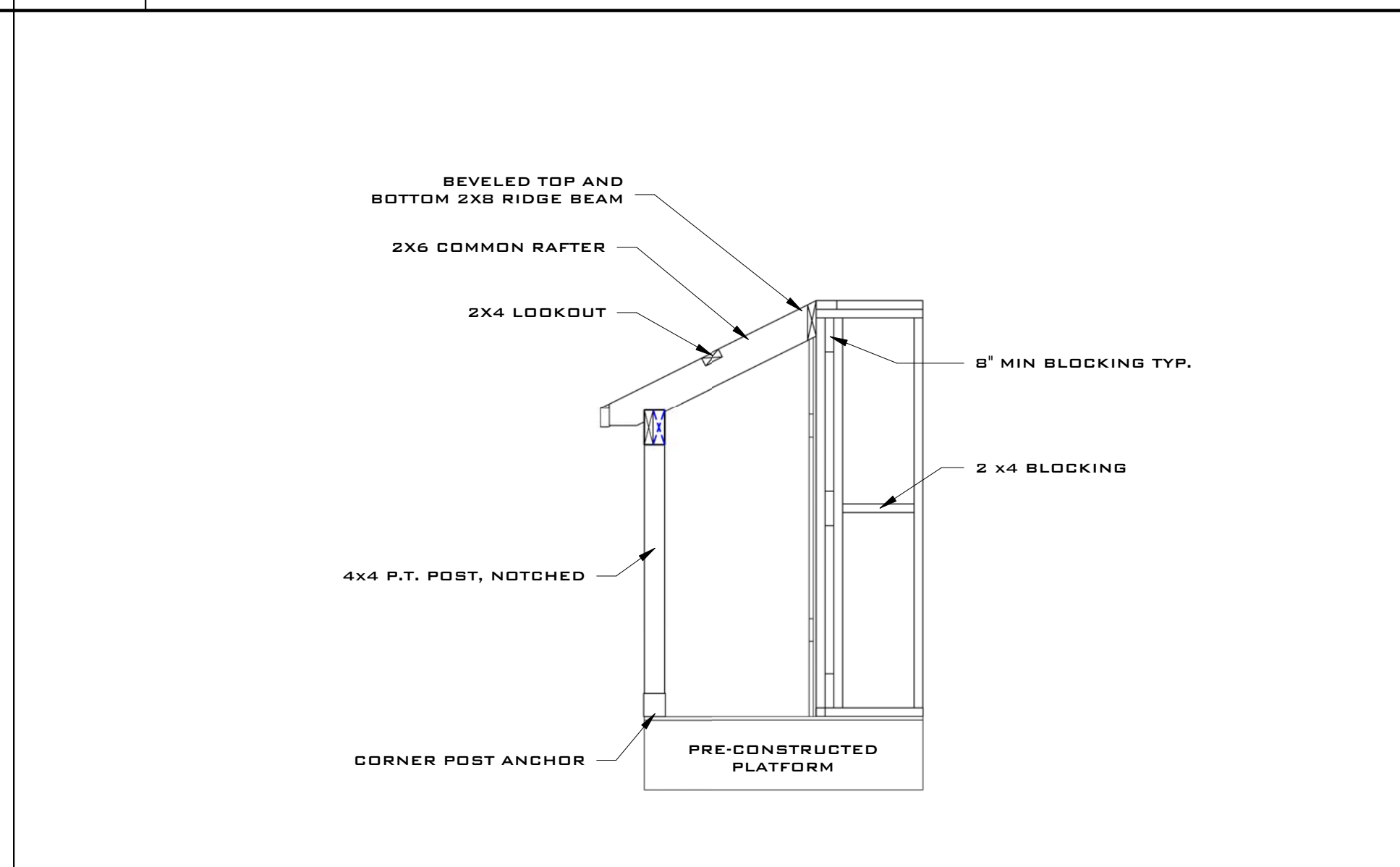
3 WALL FRAMING ELEVATION 3/4" = 1'-0"



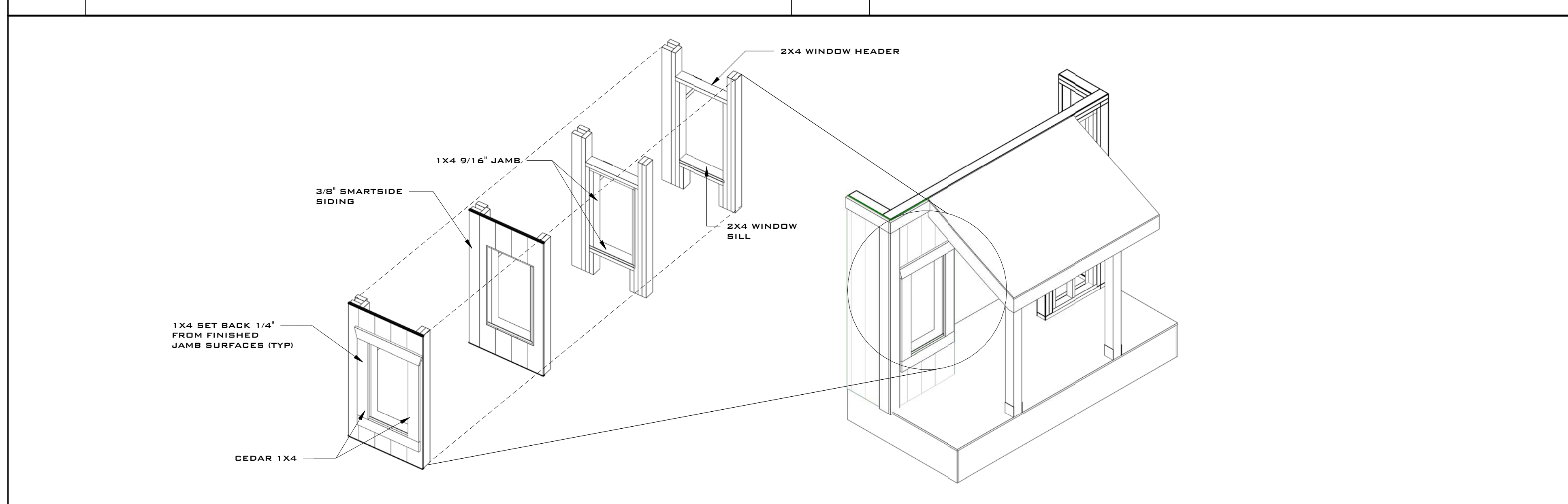
4 FRONT ELEVATION 3/4" = 1'-0"



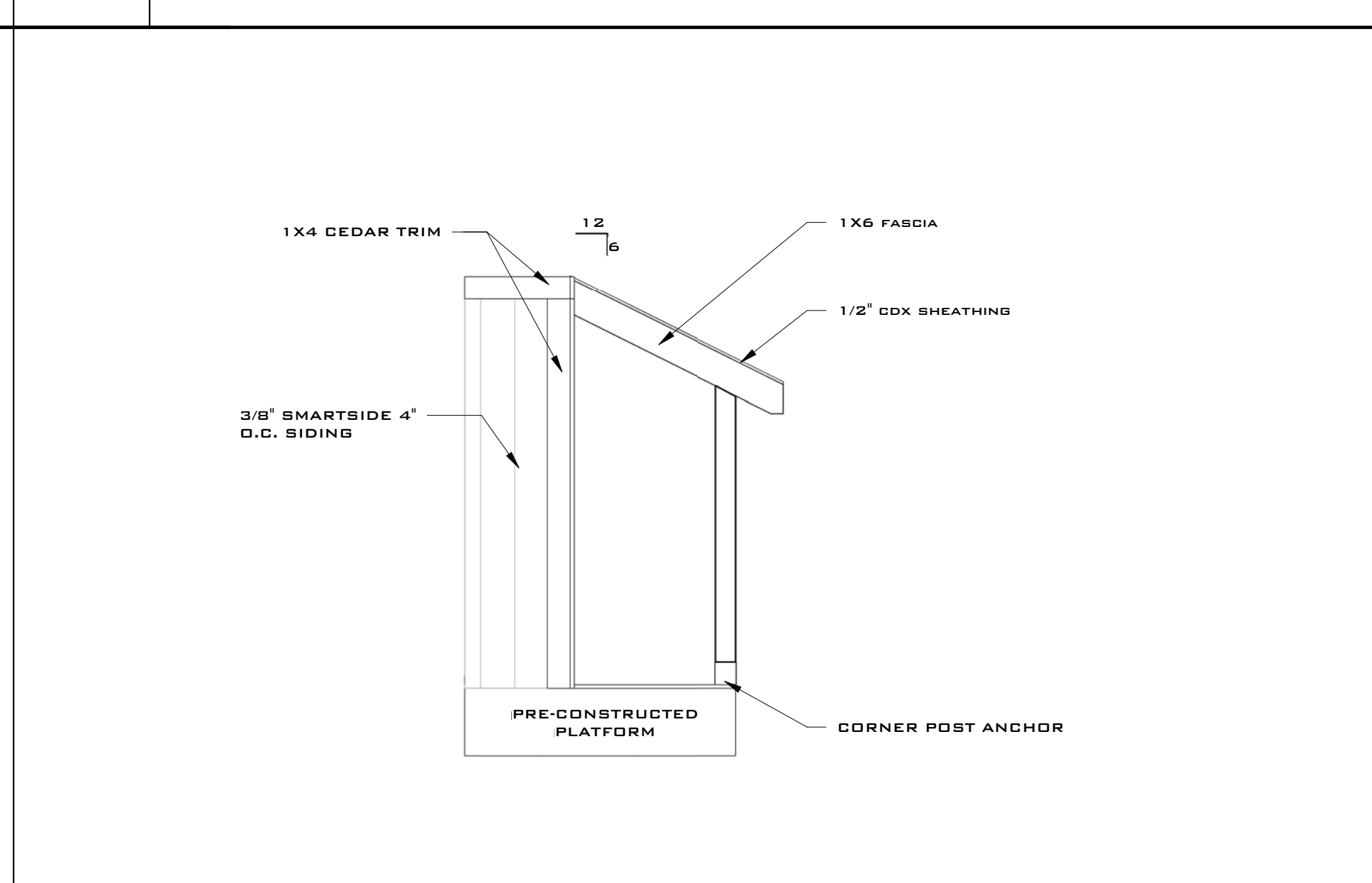
5 LEFT ELEVATION - W/O FASCIA N.T.S.



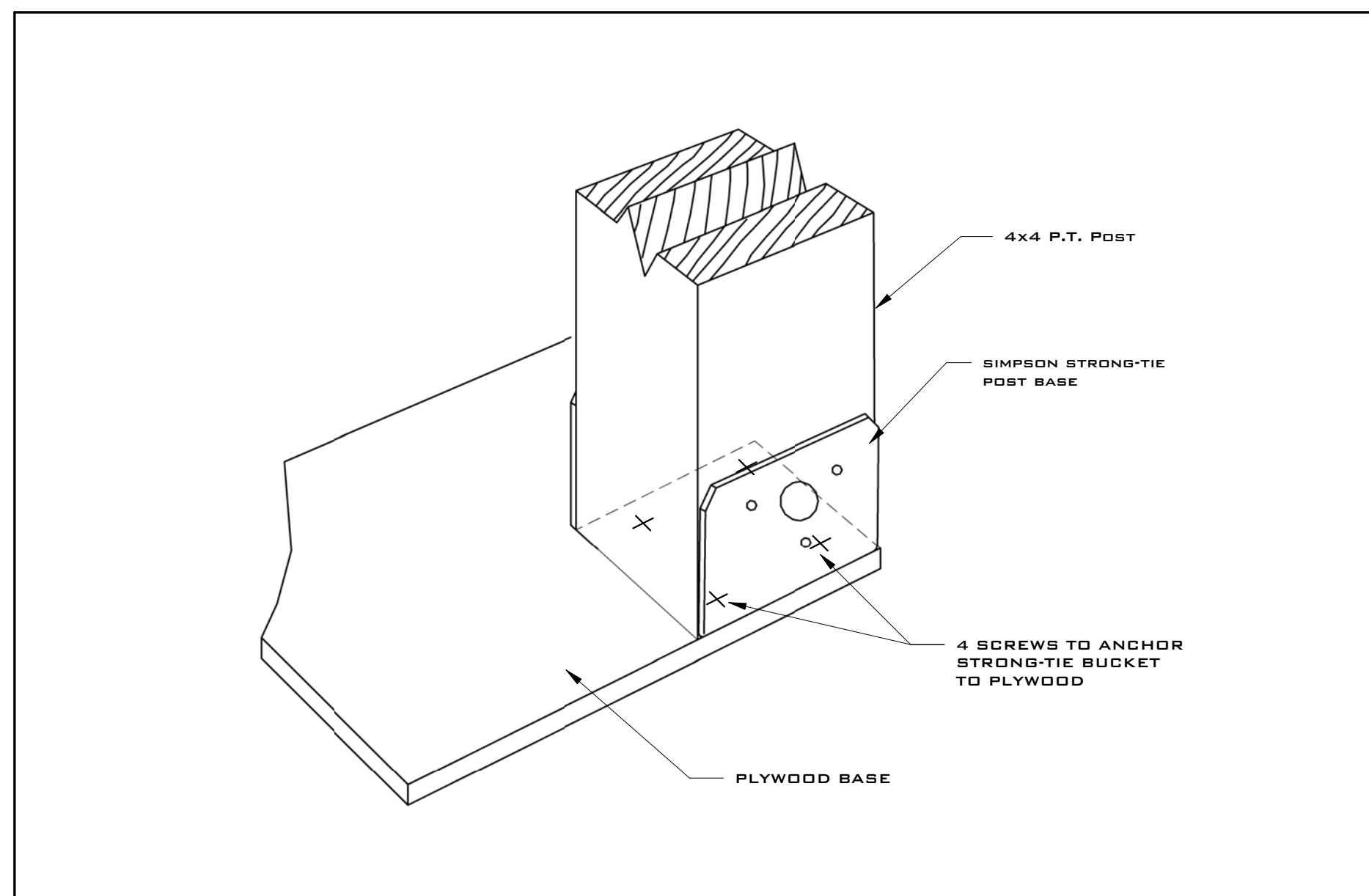
6 RIGHT ELEVATION W/O FASCIA 1/2" = 1'-0"



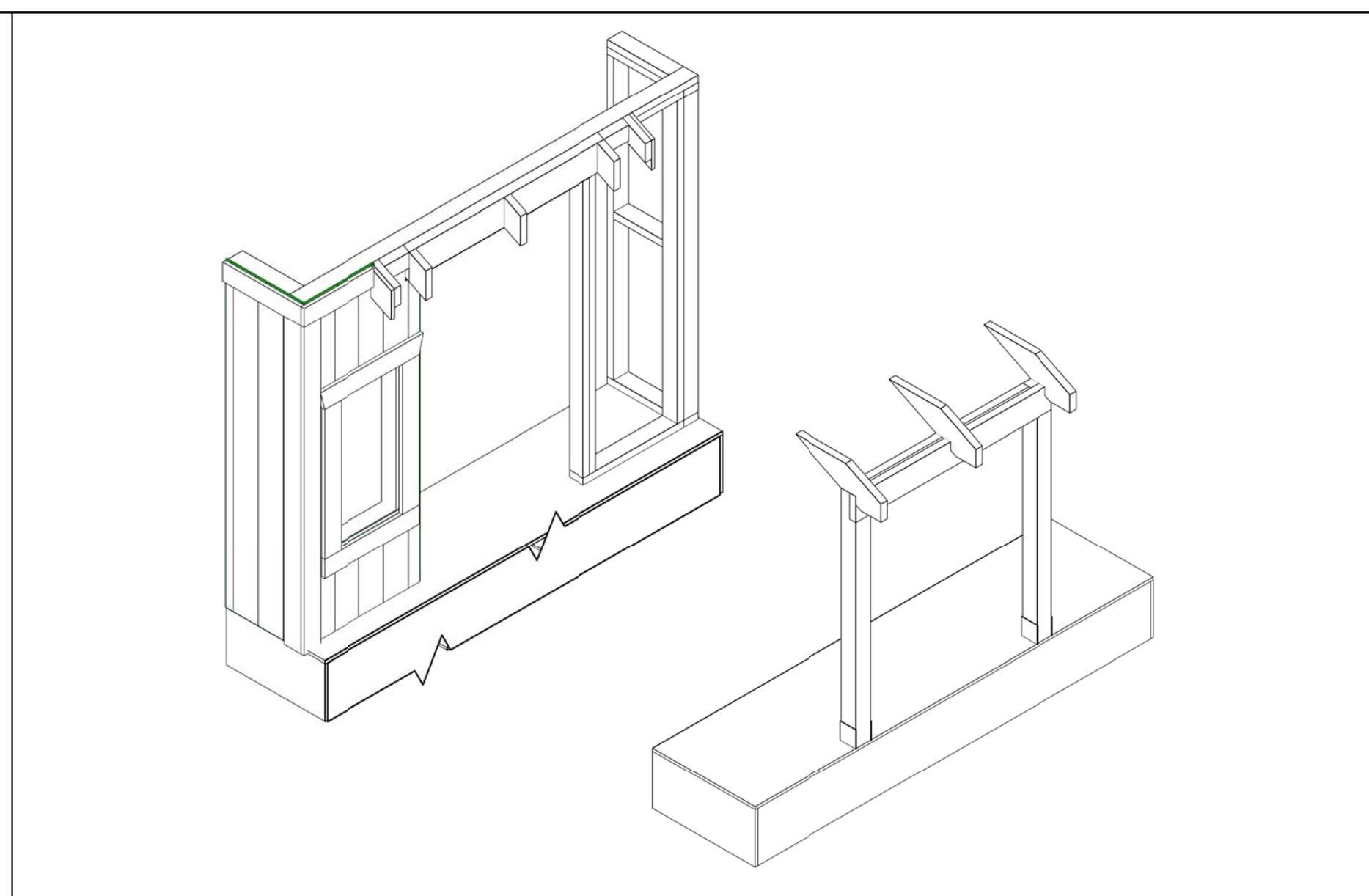
7 WINDOW FRAMING EXPLODED VIEW N.T.S.



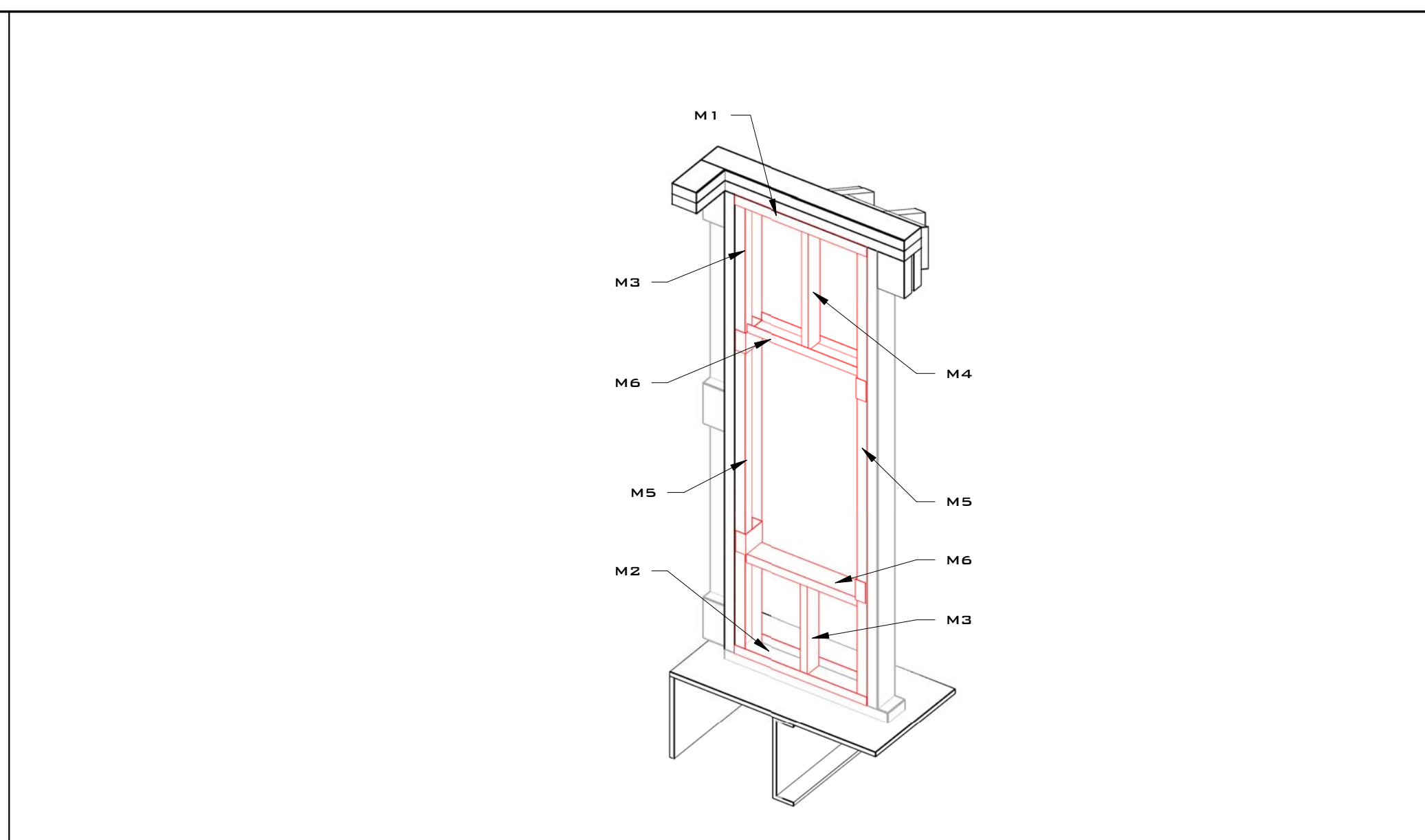
8 LEFT ELEVATION WITH FASCIA 1/2" = 1'-0"



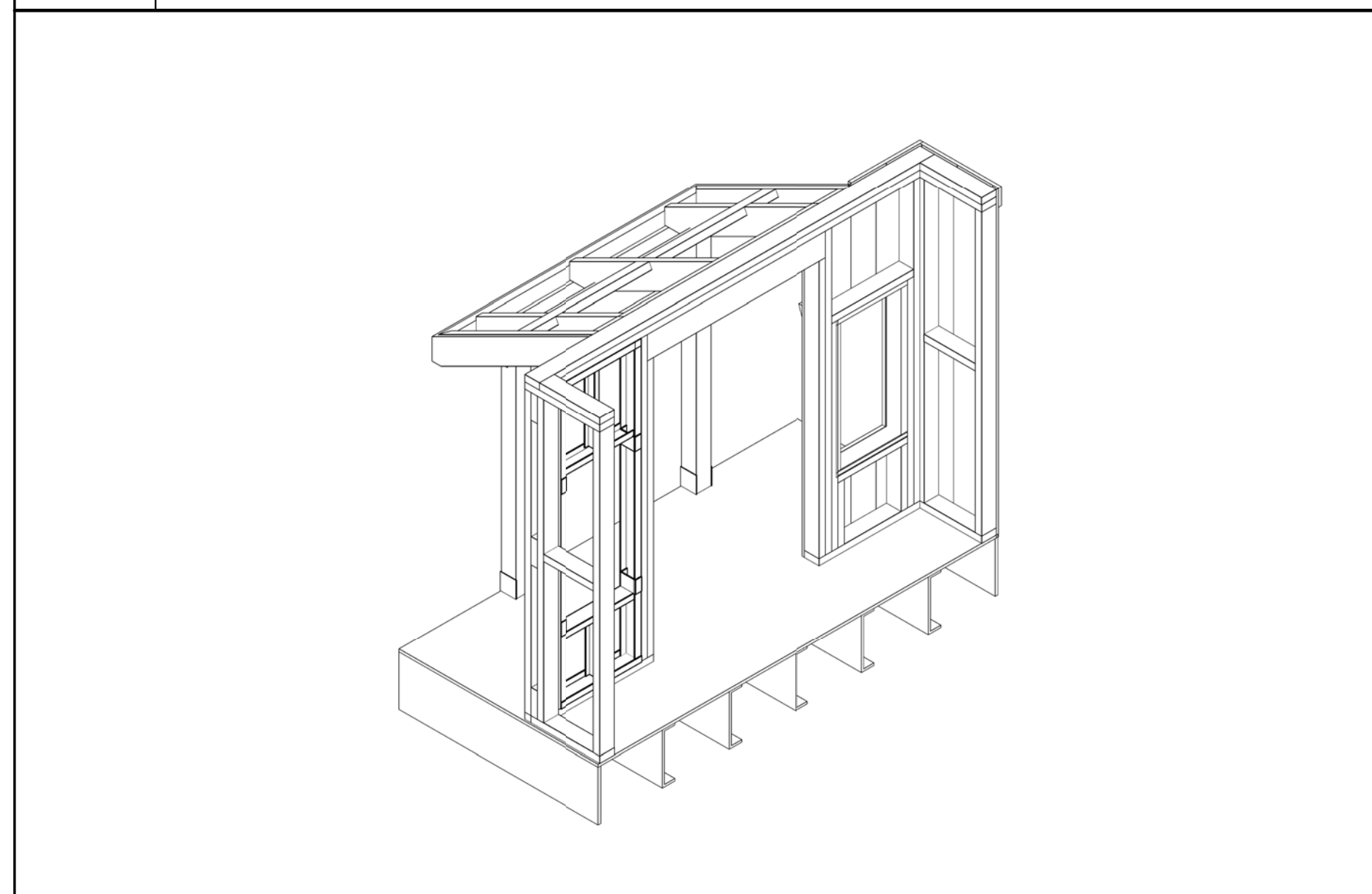
1 CORNER POST ANCHORAGE DETAIL N.T.S.



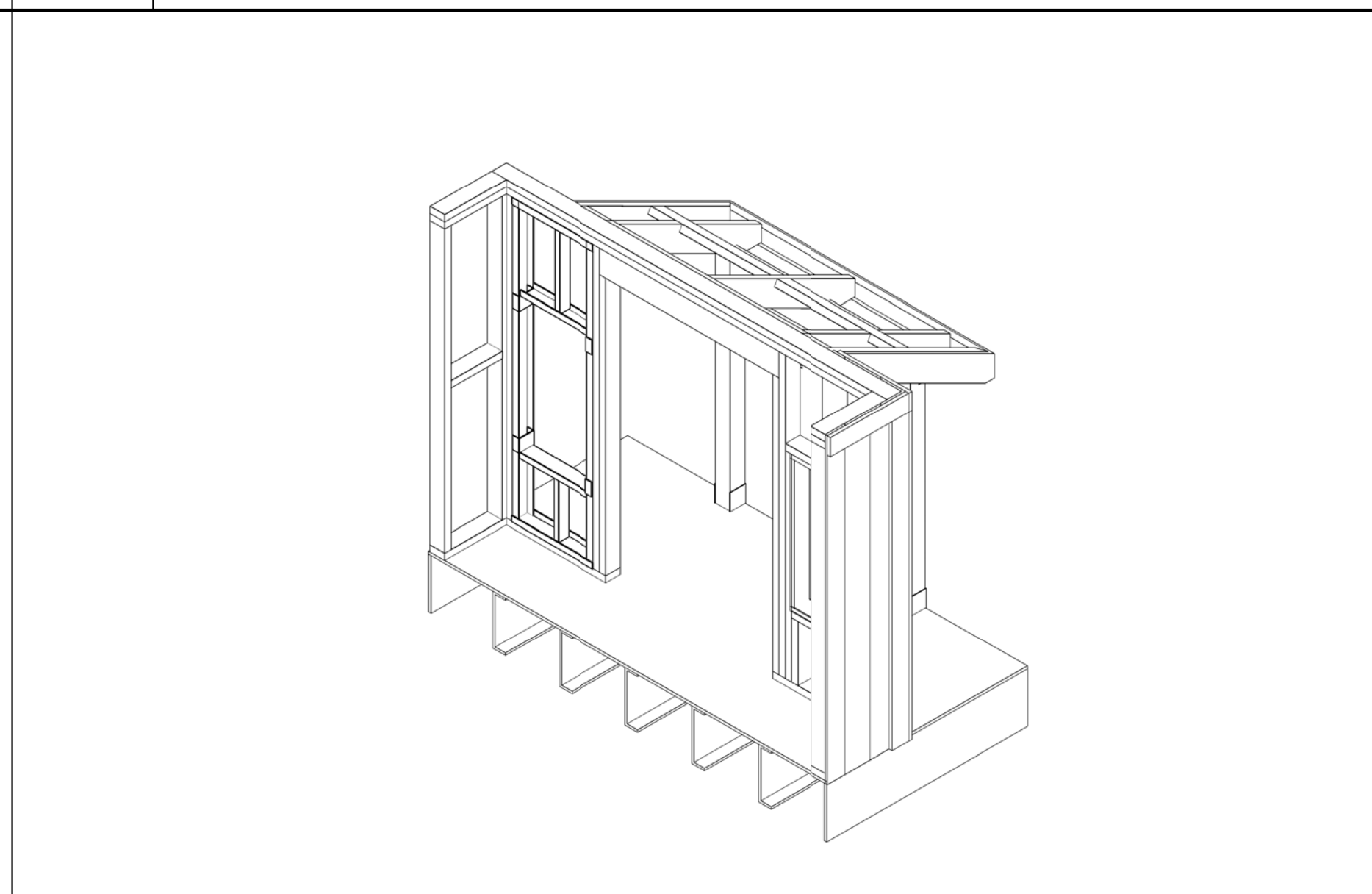
2 HEADER AND TOP PLATE VIEW N.T.S.



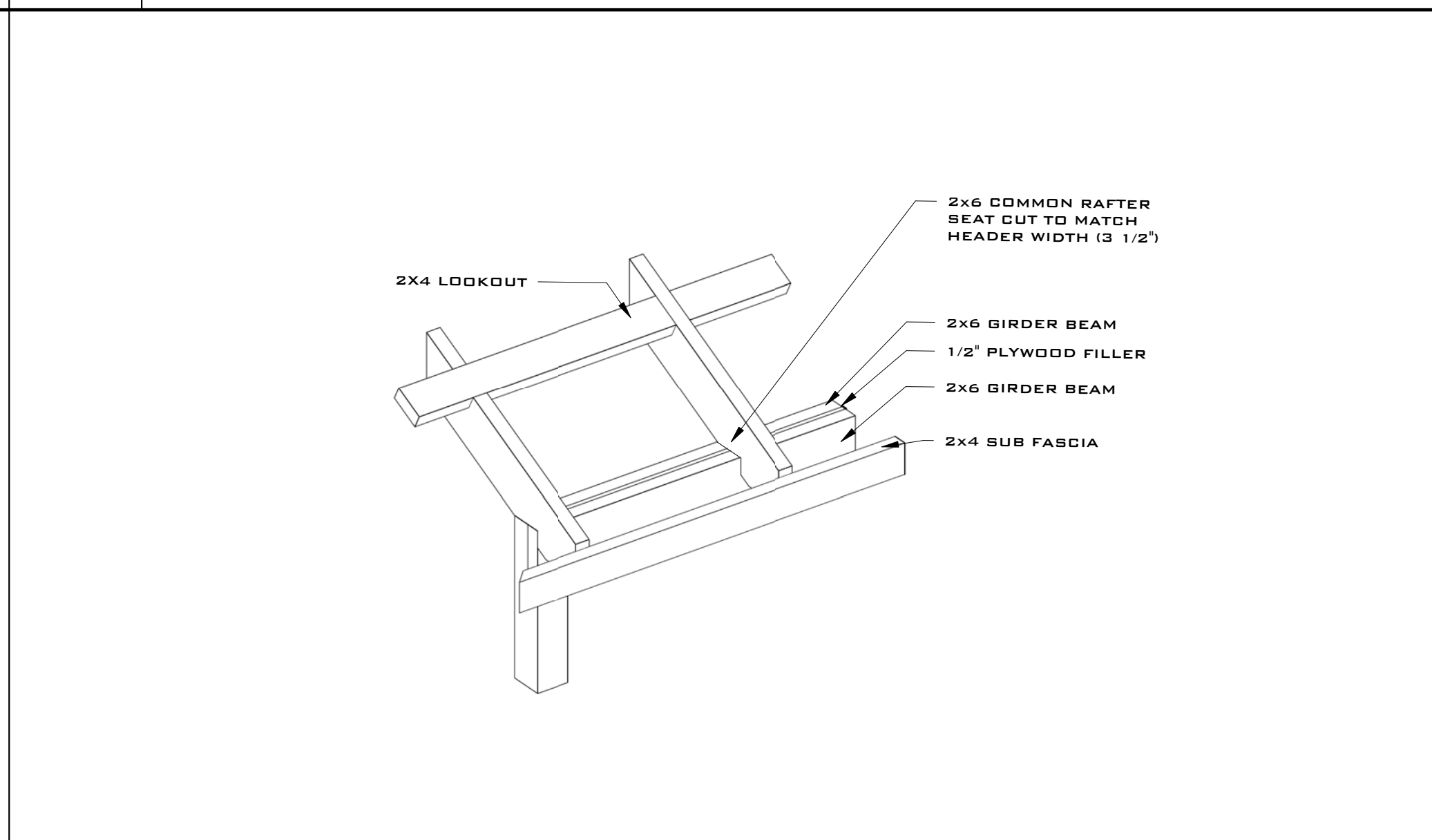
3 3D VIEW - METAL WALL FRAMING 3/4" = 1'-0"



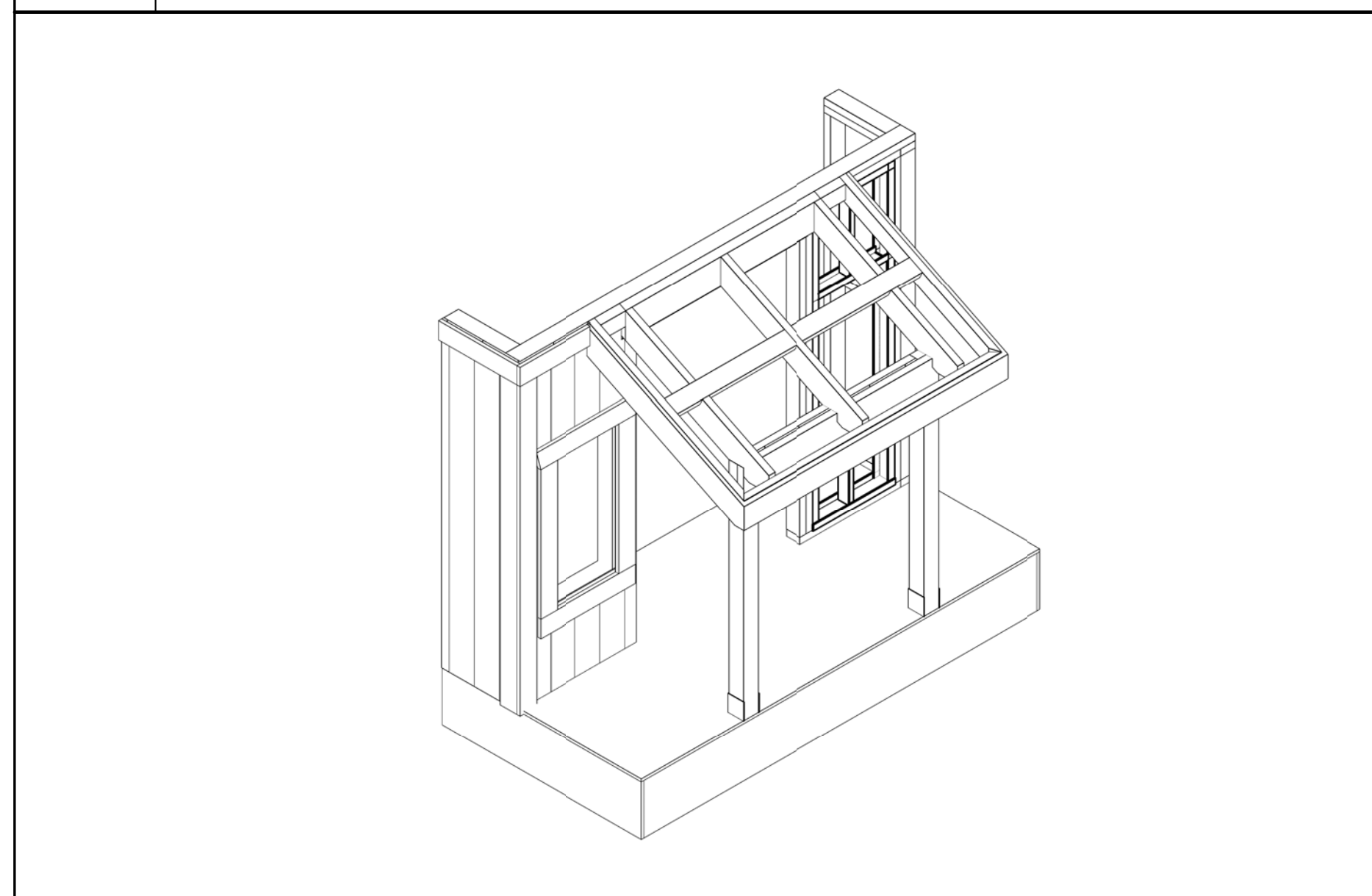
4 3D VIEW - BACK LEFT N.T.S.



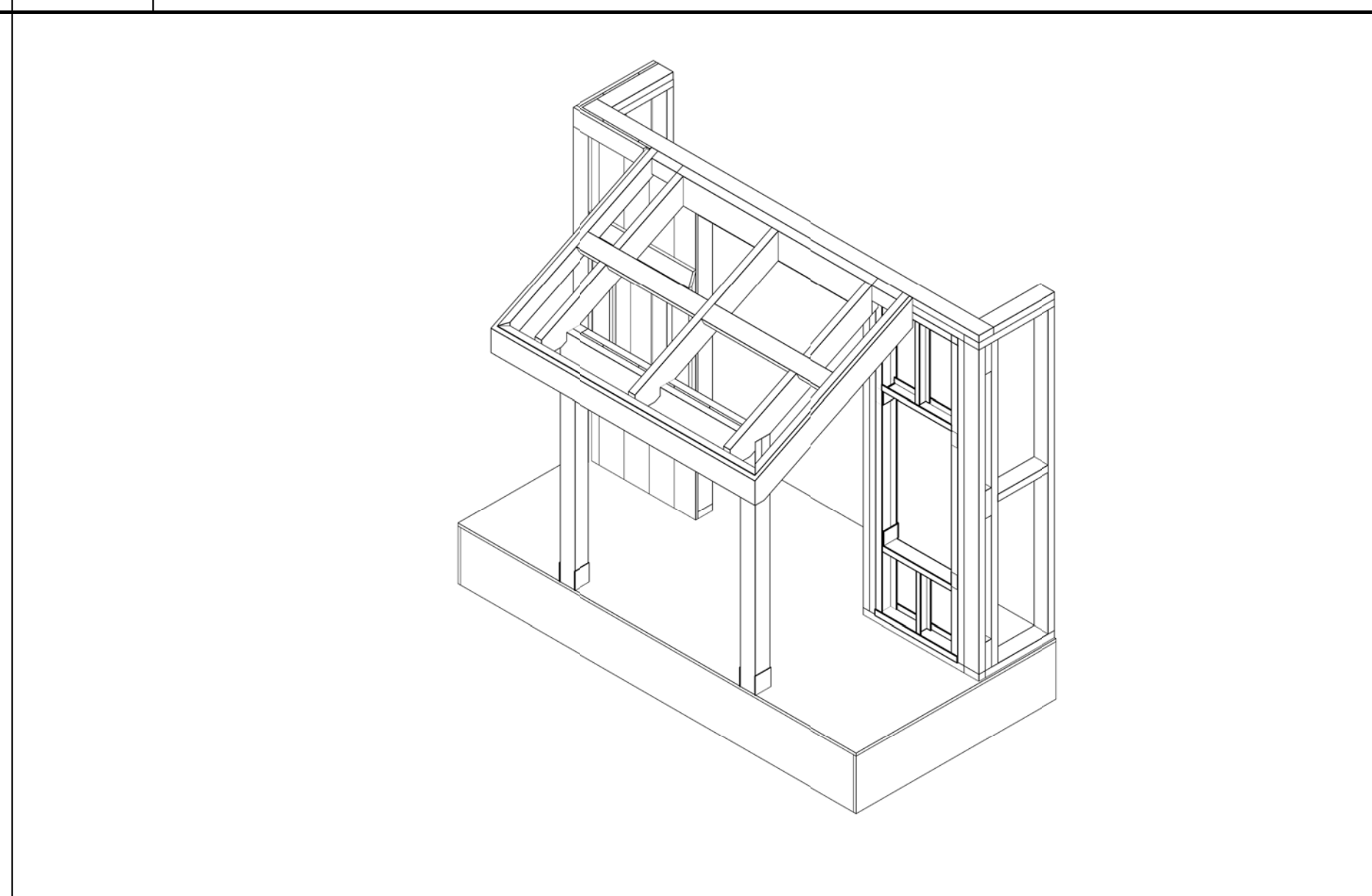
5 3D VIEW - BACK RIGHT N.T.S.



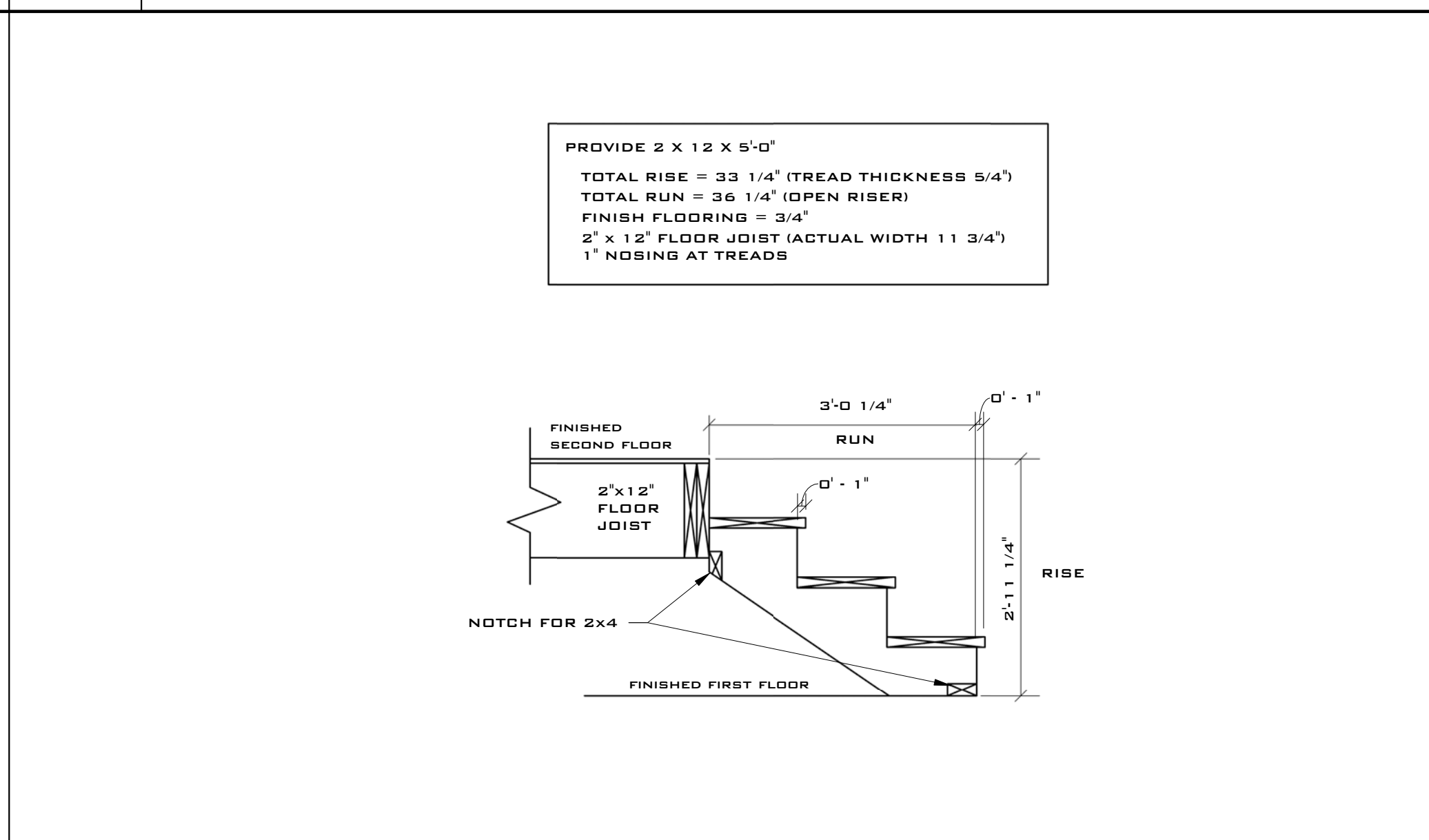
6 ROOF FRAMING AT 2X6 BEAM N.T.S.



7 3D VIEW - FRONT LEFT N.T.S.



8 3D VIEW - FRONT RIGHT N.T.S.



9 STAIR STRINGER DETAILS N.T.S.