

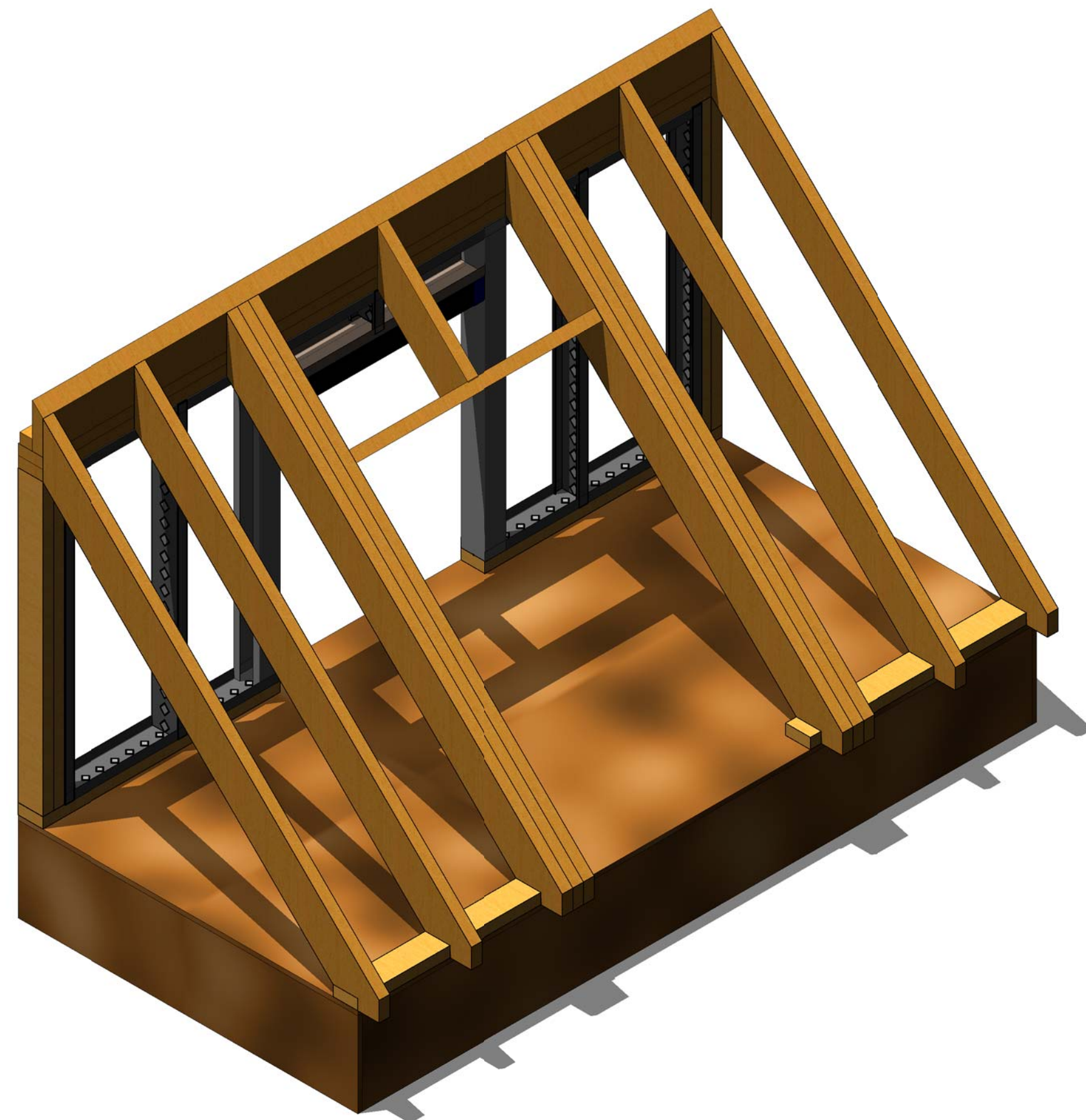
SkillsUSA 2014 Contest Projects

Carpentry

Click the “Print this Section” button above to automatically print the specifications for this contest. Make sure your printer is turned on before pressing the button.



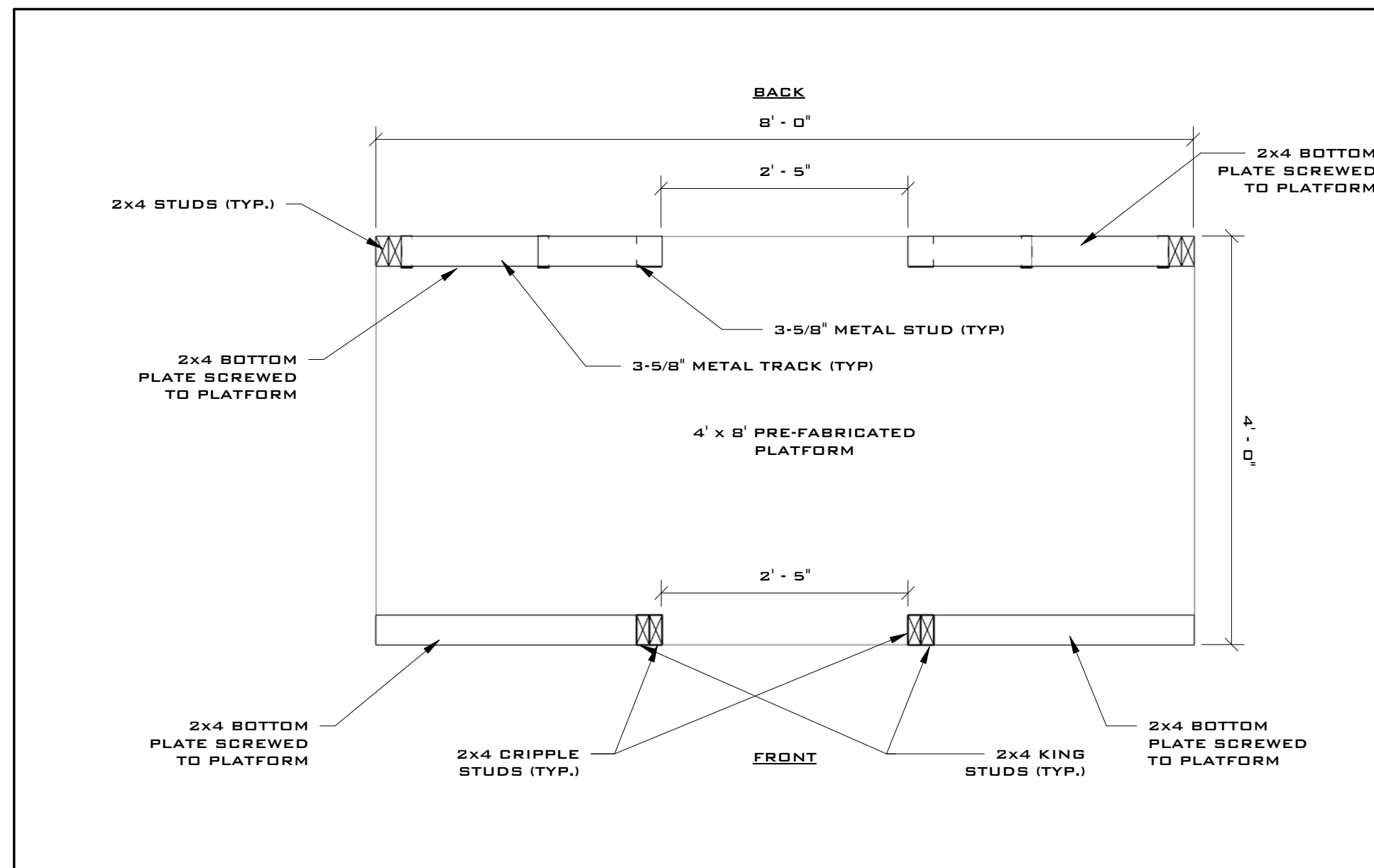
50TH ANNUAL SKILLSUSA 2014 CARPENTRY CHAMPIONSHIPS



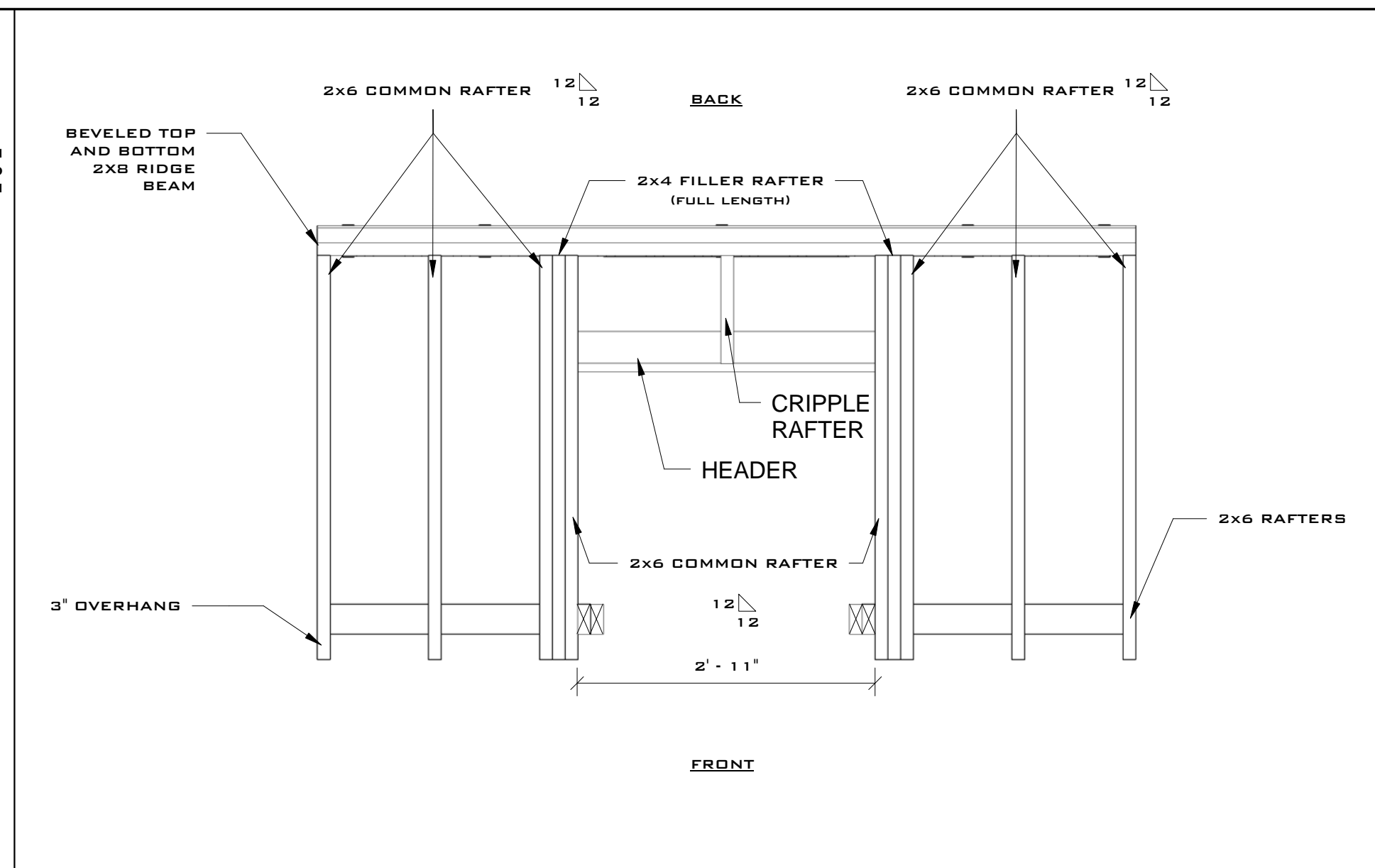
WOOD FRAMING MATERIALS	
QTY	DESCRIPTION
14	2 x 4 x 8' HEM-FIR SELECT STUD
7	2 x 6 x 12' WHITE FIR
1	2 x 8 x 8' SYP (BEVELED)
1	48" x 72" x 1/2" CDX
1	1-1/2" x 1-3/4" x 8' SPRUCE
1	3/4" x 1-1/2" x 8' FURRING STRIPS
1	1 x 6 x 6' P.T. BEVELED
1	1 x 6 x 6' P.T.
1	1/2" x 3" x 4' CDX
1	4' x 4' x 3/8" 4" O.C. SIDING



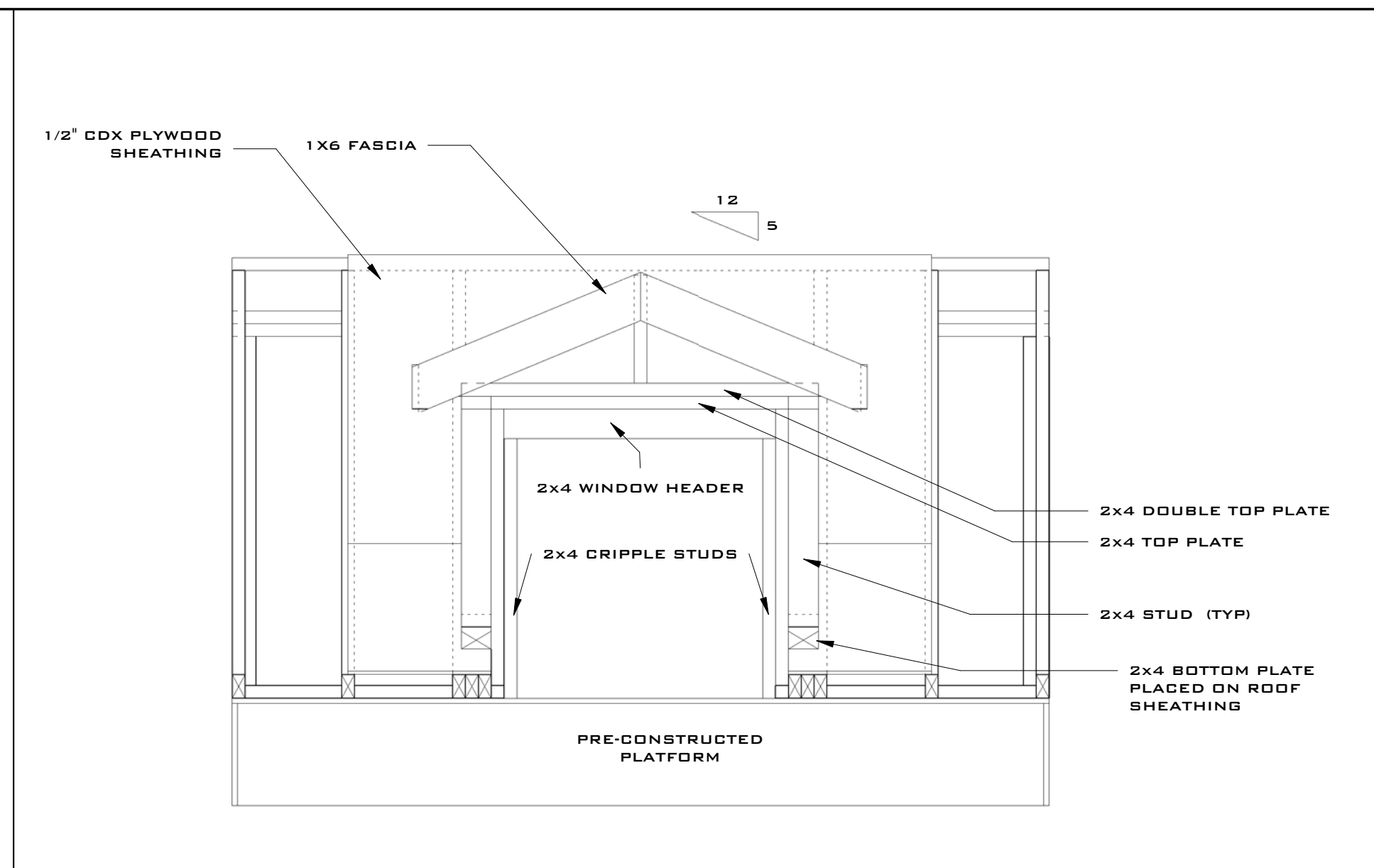
METAL FRAMING MATERIALS				
CATEGORY	MATERIAL	LENGTH	PART	QTY
BOTTOM TRACK	362PDT125-15	2'-6 1/2"	M1	2
HEADER TRACK	362PDT125-15	2'-4 1/2"	M1	1
TOP TRACK	362PDT125-15	7'-6"	M1	1
FULL LENGTH STUD	362PDS125-15	3'-4 7/8"	M2	4
CRIPPLE STUD	362PDS125-15	5 5/8"	M2	1
KING STUD	362JS300-33	3'-4 7/8"	M3	2
HEADER STUD	350JS300-33	1'-9 1/8"	M4	1
HEADER CLIP	362-33	3 5/8"	M5	2



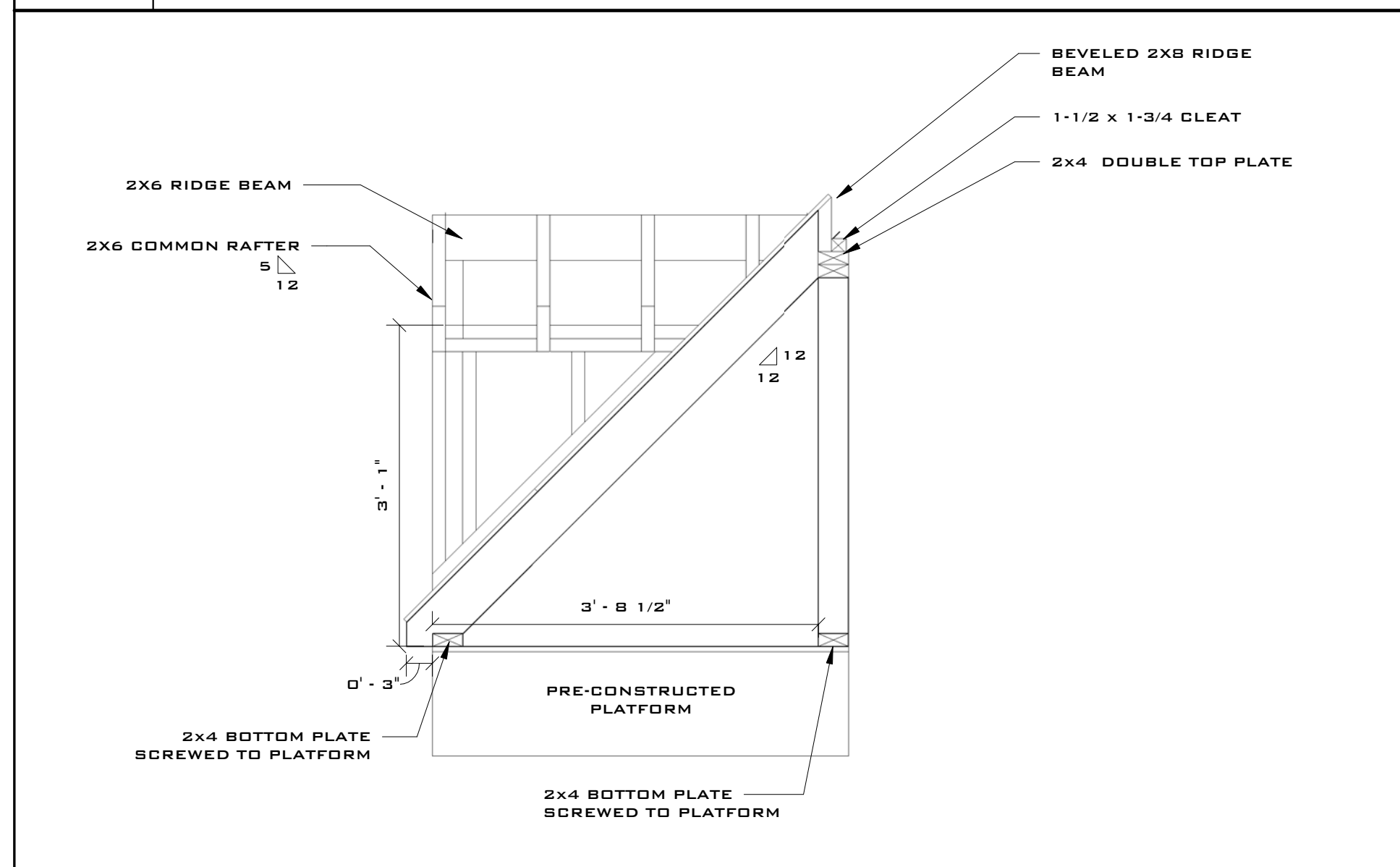
1 FLOOR PLAN $3/4" = 1'-0"$



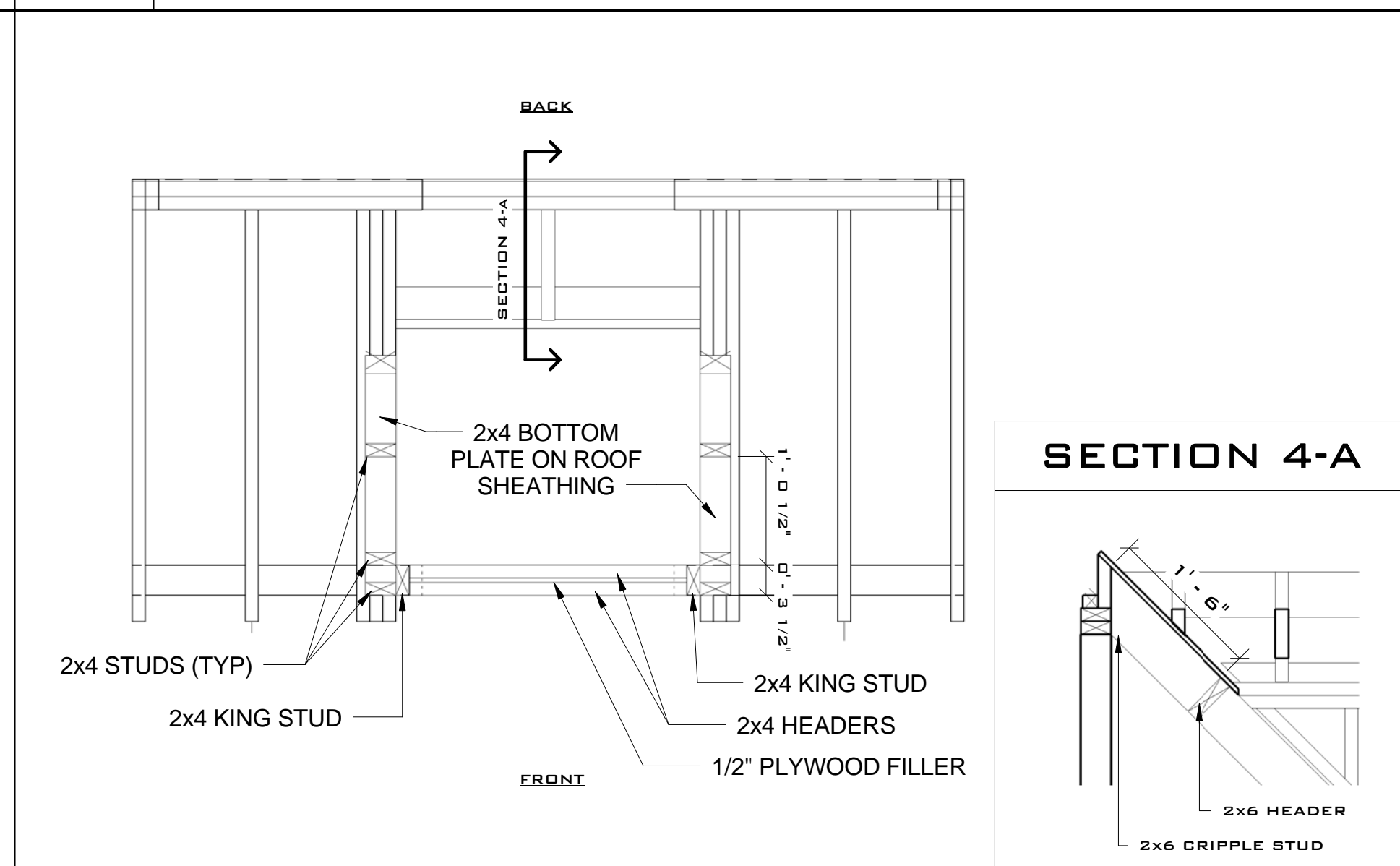
2 ROOF FRAMING PLAN $3/4" = 1'-0"$



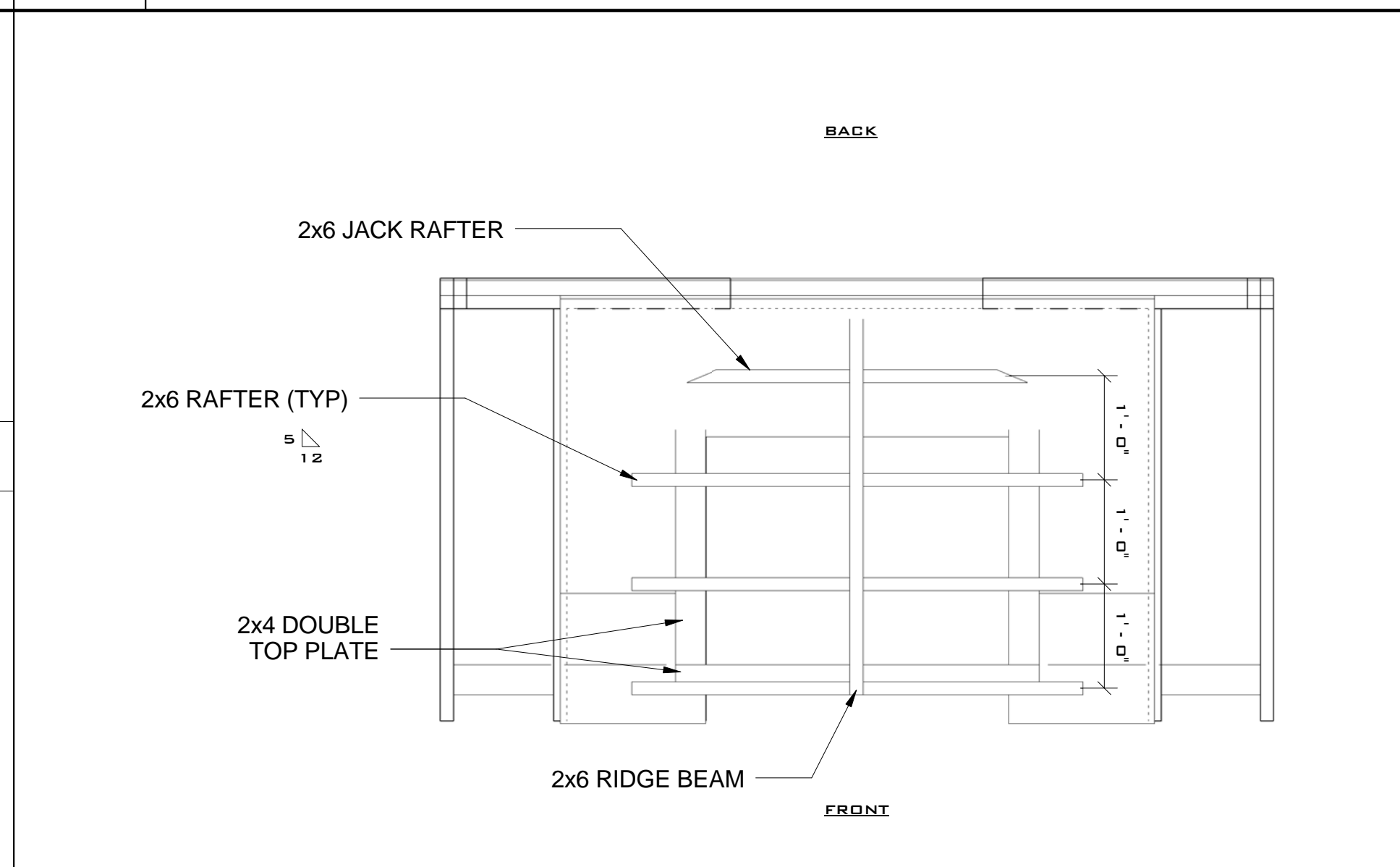
3 FRONT ELEVATION $3/4" = 1'-0"$



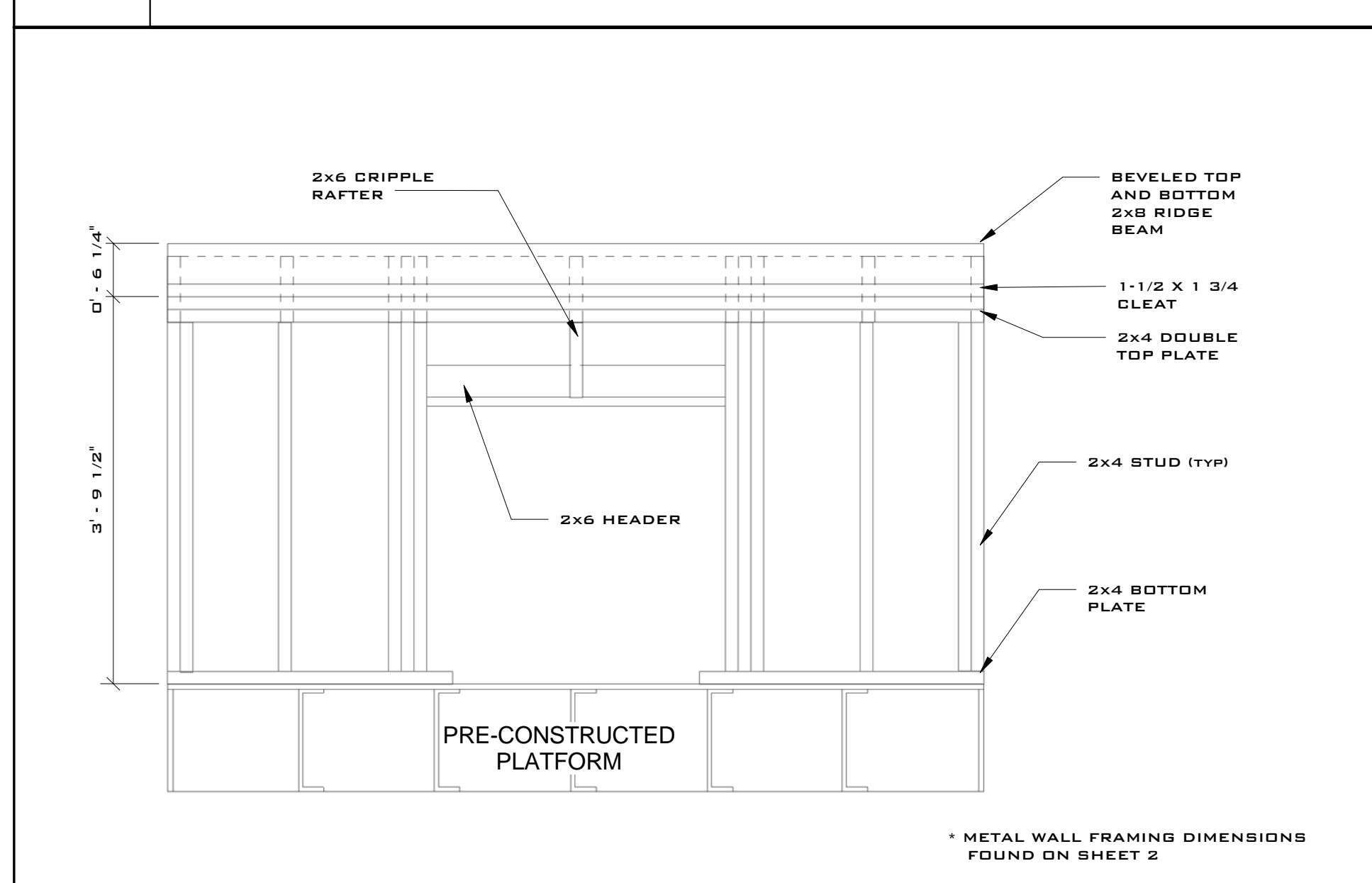
4 RIGHT ELEVATION W/O FASCIA $3/4" = 1'-0"$



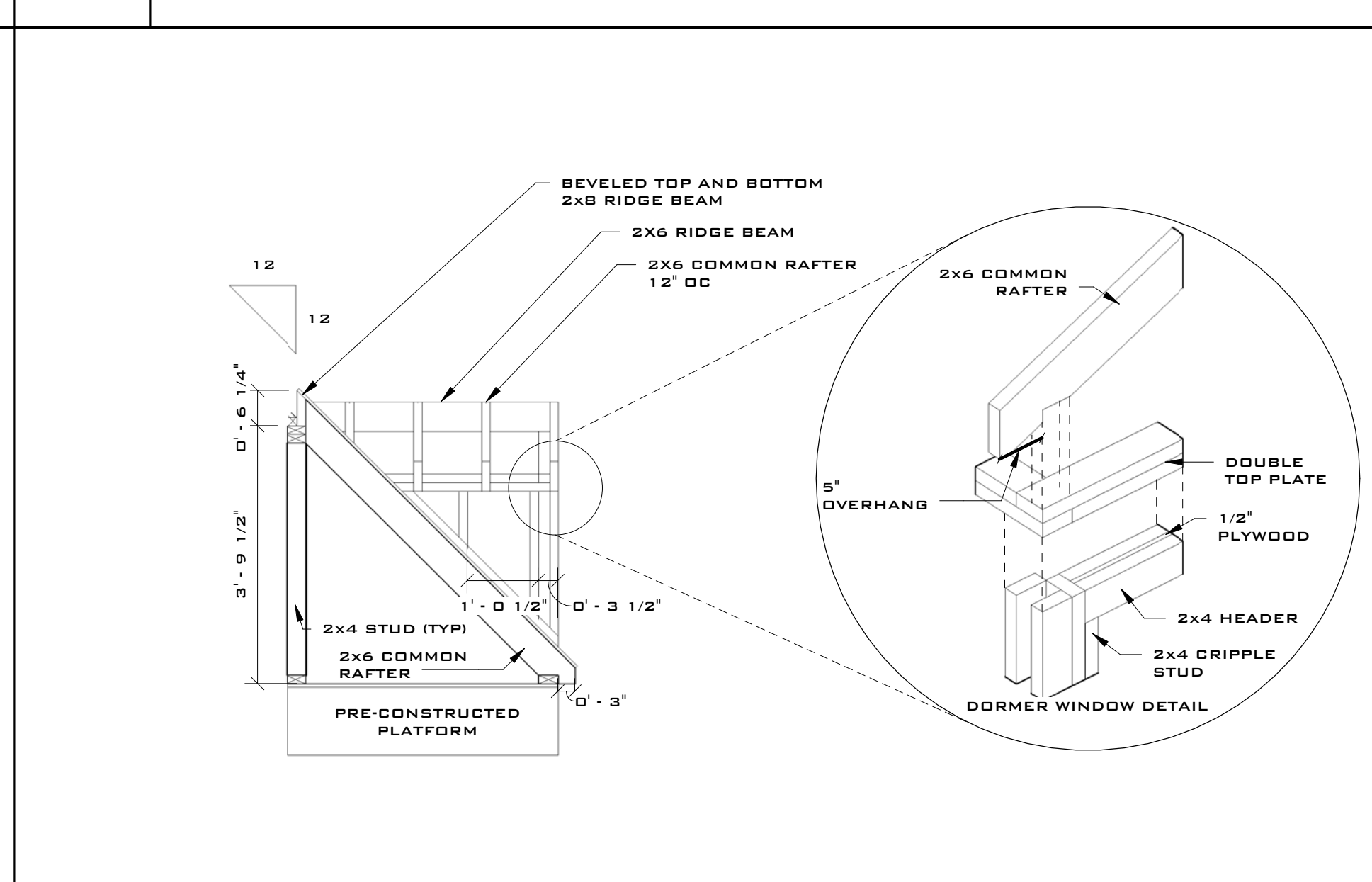
5 DORMER FRAMING PLAN $3/4" = 1'-0"$



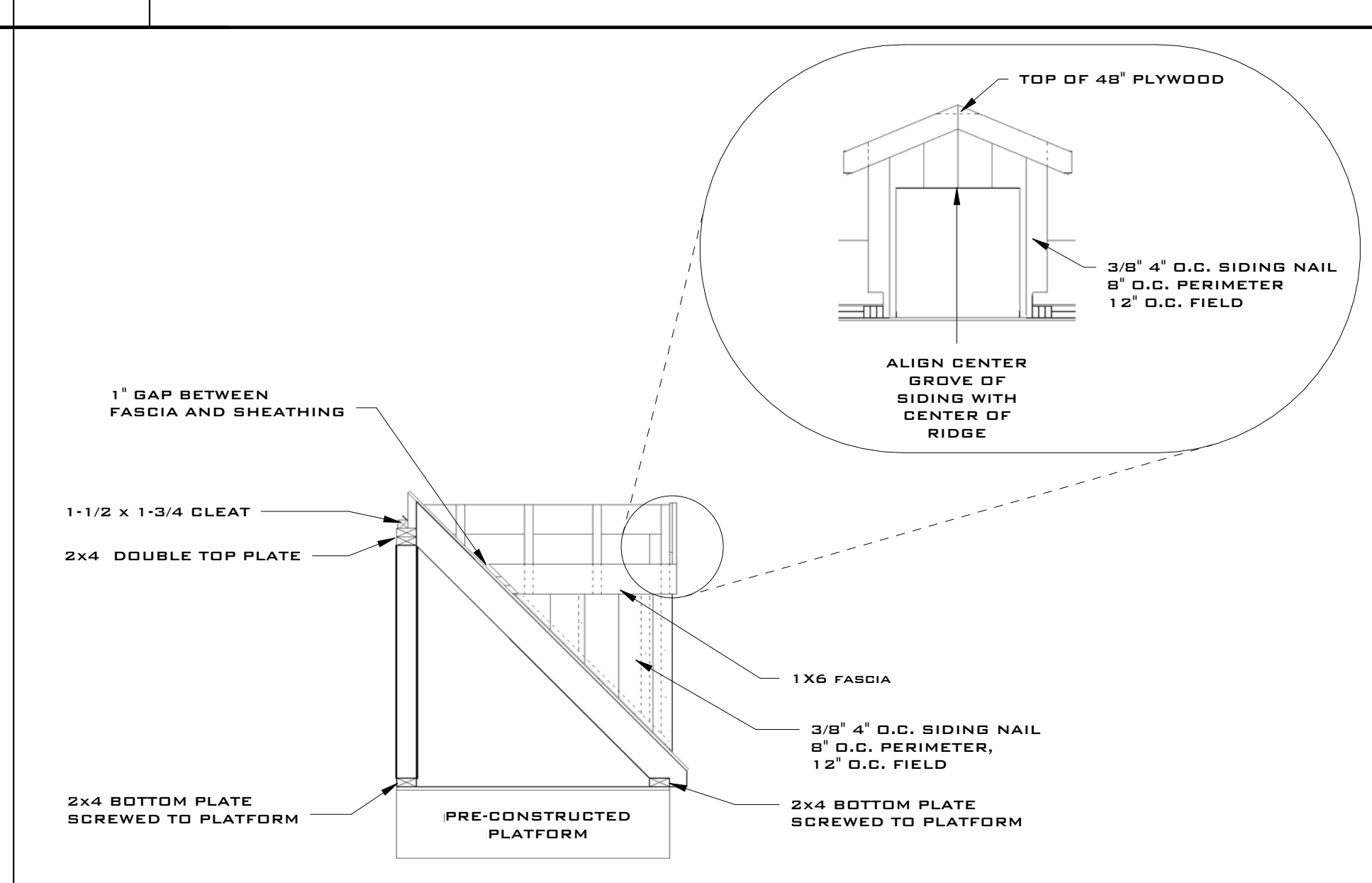
6 DORMER ROOF FRAMING PLAN $3/4" = 1'-0"$



7 BACK ELEVATION W/O METAL FRAMING N.T.S.



8 LEFT ELEVATION - W/O FASCIA N.T.S.



9 LEFT ELEVATION WITH FASCIA $1/2" = 1'-0"$

* METAL WALL FRAMING DIMENSIONS FOUND ON SHEET 2

**50TH ANNUAL SKILLSUSA
2014 CARPENTRY CHAMPIONSHIPS**

DATE	06-05-2014
SCALE	AS NOTED
DRAWN BY	RCC

<p>1 DORMER 3D VIEW</p>	<p>2 DORMER 3D VIEW FROM BELOW N.T.S.</p>	<p>3 ENLARGED DETAIL 3/4" = 1'-0"</p>	
<p>4 3D VIEW - BACK LEFT N.T.S.</p>	<p>5 ELEVATION - METAL WALL FRAMING N.T.S.</p>	<p>6 3D VIEW - METAL WALL FRAMING N.T.S.</p>	
<p>7 3D VIEW - FRONT LEFT N.T.S.</p>	<p>8 3D VIEW - FRONT RIGHT N.T.S.</p>	<p>9 STAIR STRINGER SECTION DETAIL N.T.S.</p>	